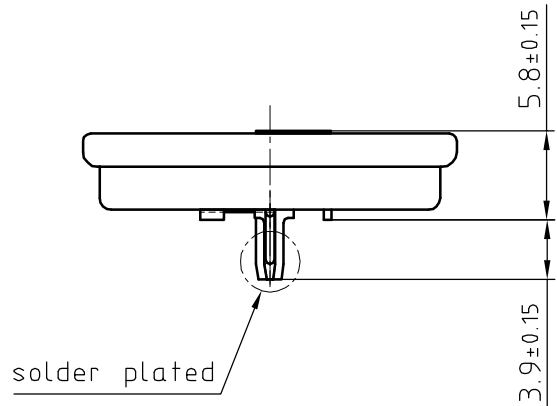
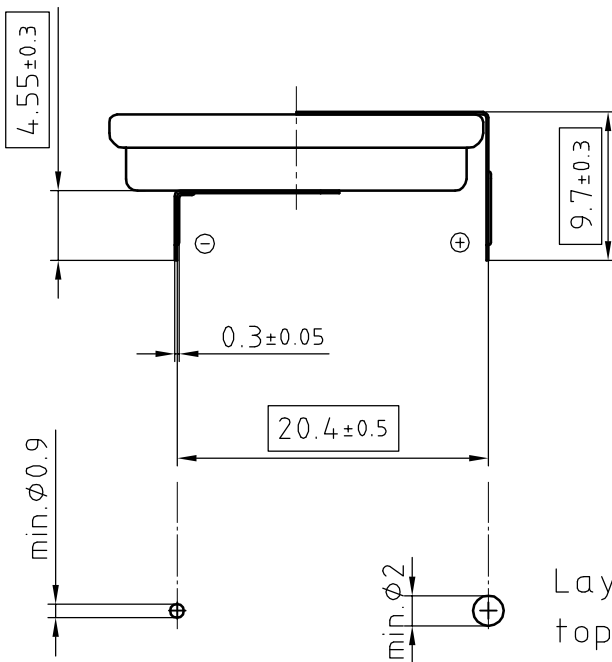
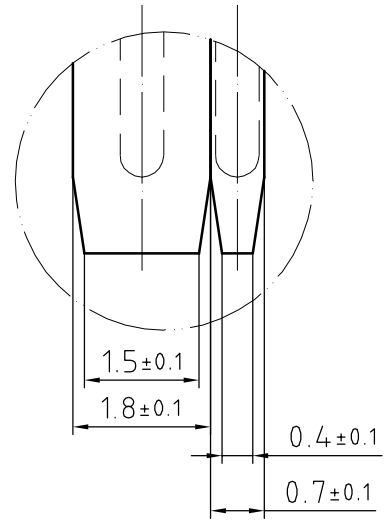
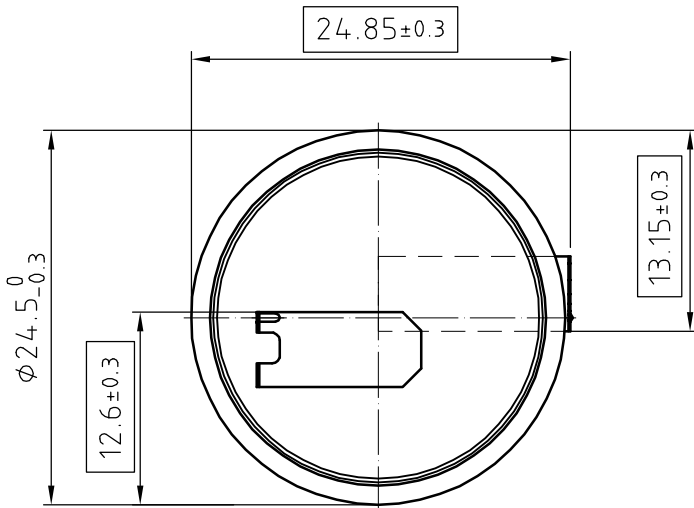


Art.-Number: 703346



Layout top view

All dimensions in mm.

Tab material: Stainless steel

Direction of tab corrugation could be to the inner side, or outer side

**All framed values will be used for dimension checking !**

The Products of Renata SA are neither designed nor authorized for use in certain areas of application of environment.  
For further details we refer to our webpage [www.renata.com/downloads/restriction\\_of\\_use](http://www.renata.com/downloads/restriction_of_use)

Samples can deviate in the execution from the serie.

Dimensions and tolerances can be specified only after the testing of the devices for the mass production definitely

Rev.	①	23.08.19	PWu	Rev.	○				Customer's Approval		
Rev.	○			Rev.	○				Date		
Rev.	○			Rev.	○				Signature		
Title:								Scale	Drawn	14.09.12	PWu
CR2450N-MFR HF3								2:1	Checked		
									Approved		

**renata** batteries

CH-4452 Itingen  
Switzerland

10.0936.4-1