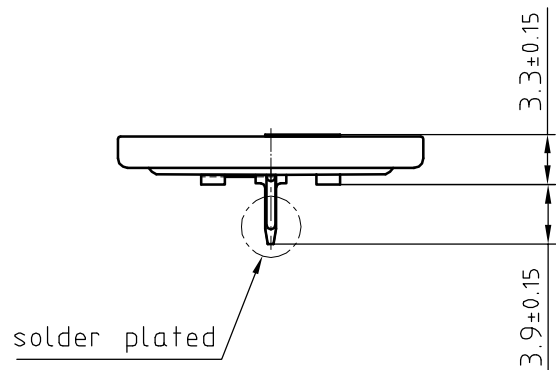
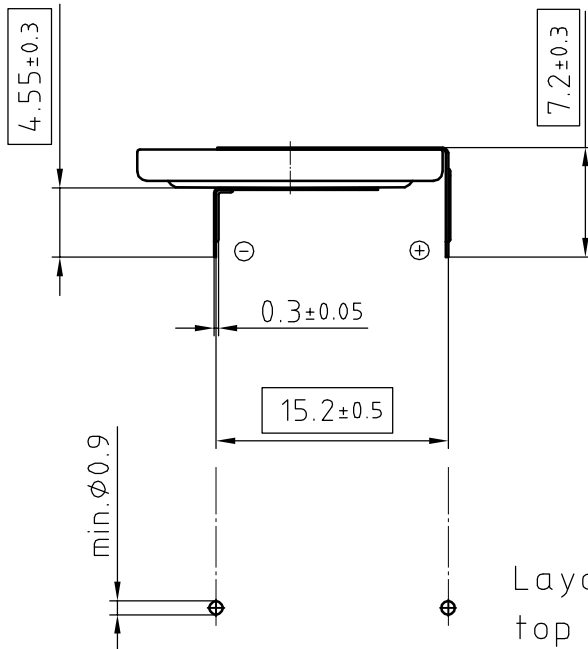
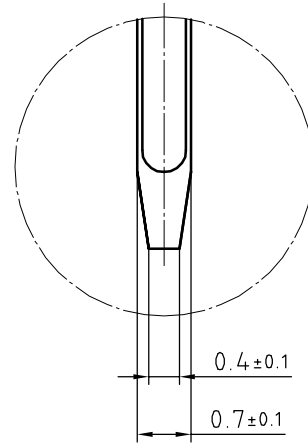
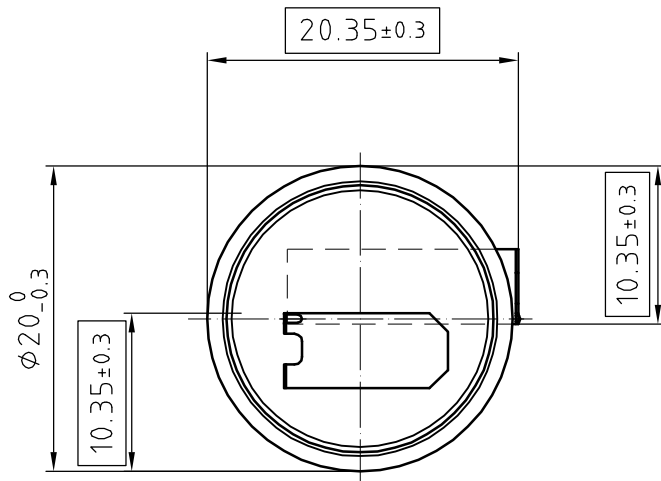


Art.-Number:703318



Layout  
top view

Samples can deviate in the execution from the serie.

All dimensions in mm.

Tab material: Stainless steel

Direction of tab corrugation could be to the inner side, or outer side

All framed values will be used for dimension checking !

*The Products of Renata SA are neither designed nor authorized for use in certain areas of application of environment.  
For further details we refer to our webpage [www.renata.com/downloads/restriction\\_of\\_use](http://www.renata.com/downloads/restriction_of_use)*

Dimensions and tolerances can be specified only after the testing of the devices for the mass production definitely

Rev.	①	23.08.19	PWu	Rev.	○			Customer's Approval			
Rev.	○			Rev.	○			Date			
Rev.	○			Rev.	○			Signature			
Title:  <h1 style="margin: 0;">CR2025 MFR HF</h1>								Scale			
								2:1	Drawn	18.09.12	PWu
									Checked		
								Approved			
								CH-4452 Itingen Switzerland			
								10.0909.4-1			