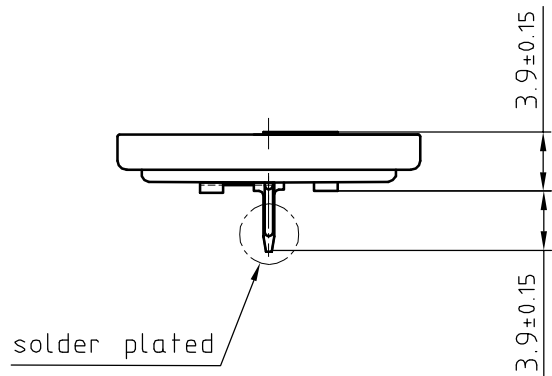
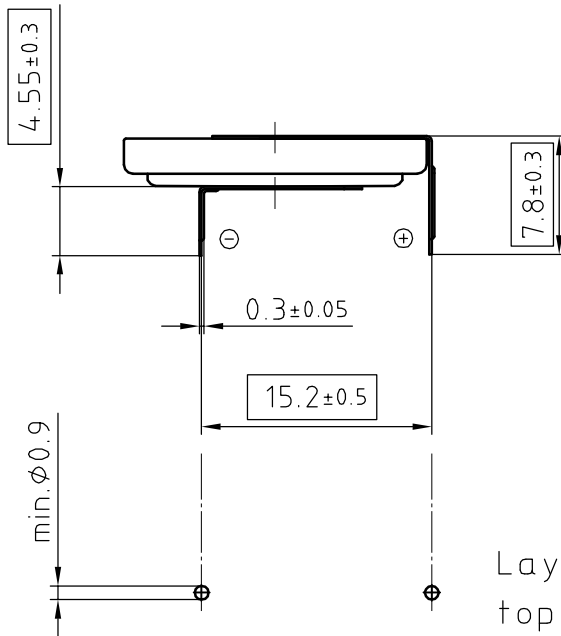
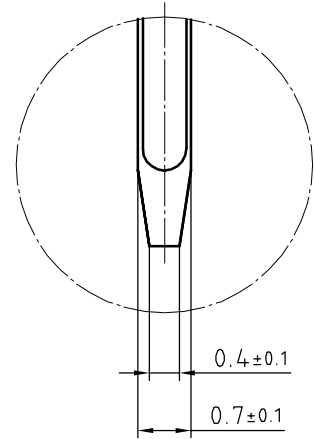
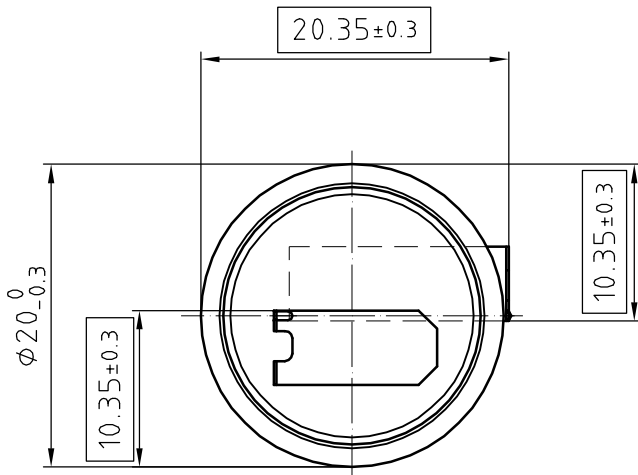


Art.-Number: 703324



Layout top view

All dimensions in mm.

Tab material: Stainless steel

Direction of tab corrugation could be to the inner side, or outer side

All framed values will be used for dimension checking !

The Products of Renata SA are neither designed nor authorized for use in certain areas of application of environment.
For further details we refer to our webpage www.renata.com/downloads/restriction_of_use

| | | | | | | | | | | | | | |
|---------------|---|----------|-----|------|---|--|--|--------------------------------|---------------------|----------|-------------|--|--|
| Rev. | ① | 23.08.19 | PWU | Rev. | ○ | | | | Customer's Approval | | | | |
| Rev. | ○ | | | Rev. | ○ | | | | Date | | | | |
| Rev. | ○ | | | Rev. | ○ | | | | Signature | | | | |
| Title: | | | | | | | | Scale 2:1 | Drawn | 18.09.12 | PWU | | |
| CR2032 MFR HF | | | | | | | | | Checked | | | | |
| | | | | | | | | | Approved | | | | |
| | | | | | | | | CH-4452 Itingen Switzerland | | | 10.0915.4-1 | | |

- Samples can deviate in the execution from the serie.

- Dimensions and tolerances can be specified only after the testing of the devices for the mass production definitely