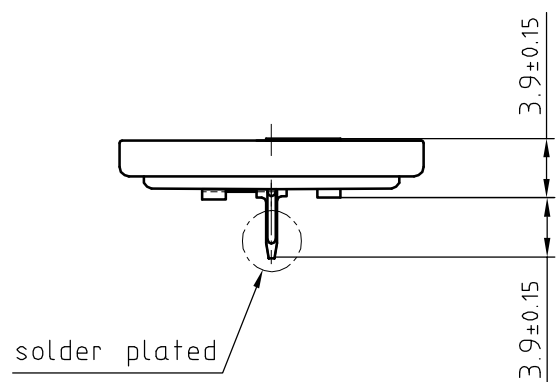
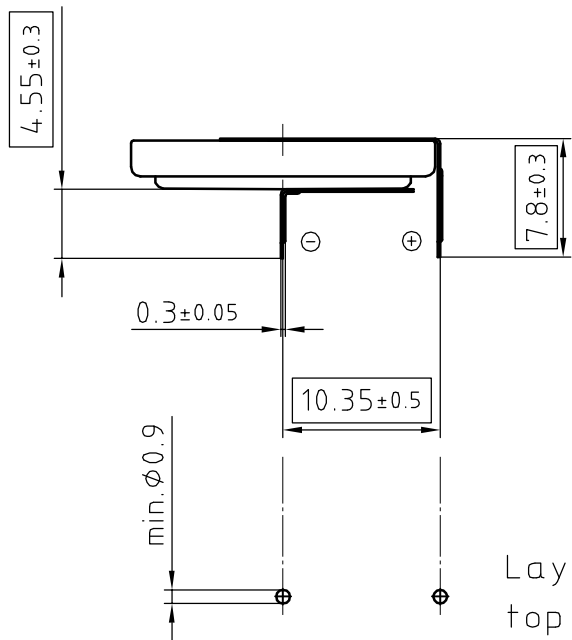
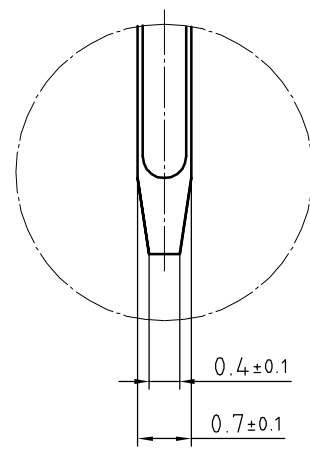
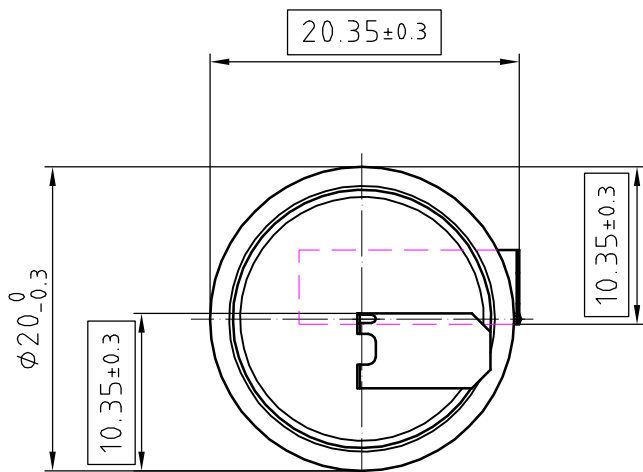


Art.-Number:703325



Layout top view

All dimensions in mm.
 Tab material: Stainless steel
 Direction of tab corrugation could be to the inner side, or outer side

All framed values will be used for dimension checking !

The Products of Renata SA are neither designed nor authorized for use in certain areas of application of environment.
 For further details we refer to our webpage www.renata.com/downloads/restriction_of_use

Rev.	①	23.08.19	PWu	Rev.	○			Customer's Approval			
Rev.	○			Rev.	○			Date			
Rev.	○			Rev.	○			Signature			
Title: <h1 style="text-align: center;">CR2032 MFR HF0</h1>								Scale			
								2:1	Drawn	18.09.12	PWu
									Checked		
								Approved			



CH-4452 Itingen
Switzerland

10.0916.4-1

Samples can deviate in the execution from the serie.

Dimensions and tolerances can be specified only after the testing of the devices for the mass production definitely