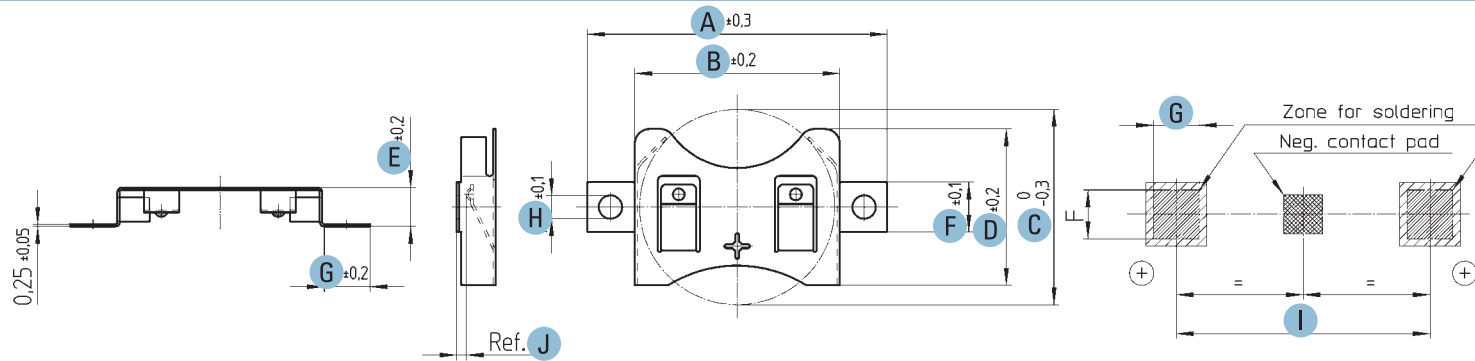


We're in charge of batteries



Battery Holders: Surface Mounting Metal

Renata Part	Model	For Use With Renata Cell	Dimensions (mm)										Weight (g)
			A	B	C	D	E	F	G	H	I	J	
100380	SMTM1225	CR1225	18.90	13.20	12.50	10.60	3.20	3.20	3.20	1.20	16.10	1.50	0.40
100390	SMTM1632	CR1632	23.20	16.90	16.00	13.25	4.00	3.20	3.00	1.20	20.05	1.00	0.70
100340	SMTM2032	CR2032	30.70	21.00	20.00	16.00	4.00	5.10	4.70	2.40	26.00	1.00	0.90



Tape and Reel Packaging

Renata Part	Model	Quantity Per Reel	Dimensions (mm)				
			A	B	C	D	E
100710	SMTM1225 TR	1,000 pieces	32.00	28.00	16.00	14.00	3.80
100711	SMTM1632 TR	700 pieces	44.00	40.00	20.00	20.00	4.50
702100	SMTM2032 TR	600 pieces	44.00	40.00	24.00	20.00	4.50

