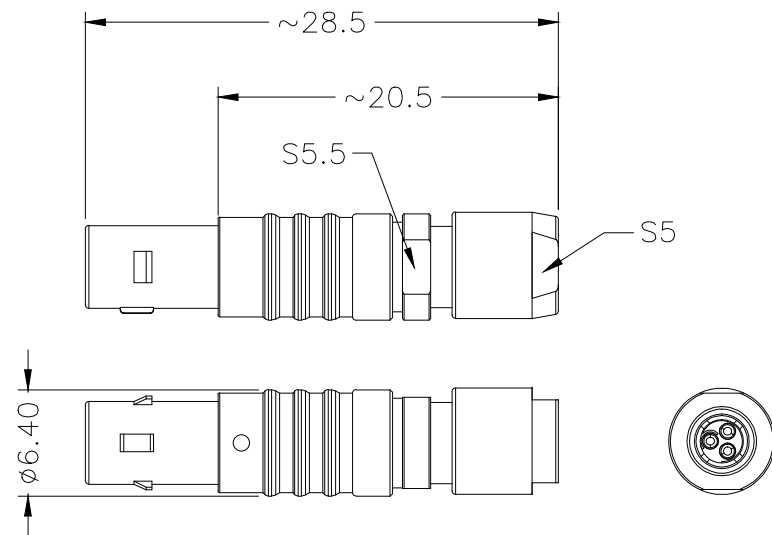


00 METAL CIRCULAR ASSEMBLY



VIEW FROM TERMINATION SIDE PIN PART

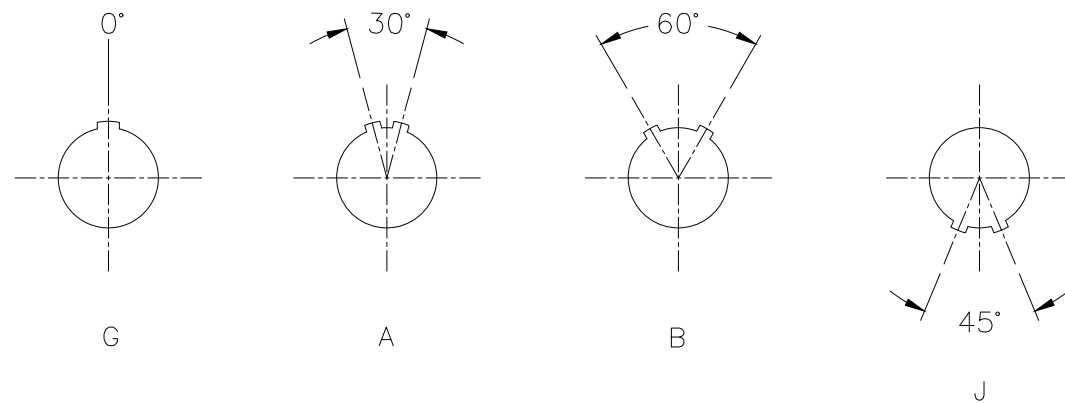


00 METAL CIRCULAR ASSEMBLY P/N DESCRIPTION :

00 A M1 X X XX X XX A  
 ① ② ③ ④ ⑤

- ① Insert  
P=PEEK  
1=PPS
- ② Plating  
2=High Gold  
A=Gold flash
- ③ Number of contacts  
02=2Pin  
03=3Pin  
04=4Pin
- ④ Keying  
G= 0°  
A= 30°  
B= 60°  
J= 45°
- ⑤ Cable collet  
22=2.2mm (CableØ1.4~2.2mm)  
27=2.7mm (CableØ2.2~2.7mm)  
35=3.5mm (CableØ2.7~3.5mm)

KEYING (PLUG FRONT VIEW):



NOTE:

- 1. MATERIAL:
  - 1.1.SHELL ASSEMBLY: COPPER ALLOY, OUTER SHELL AND COLLET NUT Cr PLATING, OTHER METALLIC COMPONENTS Ni PLATING
  - 1.2.INSERT: THERMOPLASTIC, UL94V-0
  - 1.3.CENTER CONTACT : COPPER ALLOY, Au PLATING
- 2.NUMBER OF CONTACT : 2 TO 4 POSITION
- 3.RoHS DIRECTIVE COMPLIANCE

THIRD ANGLE PROJECTION 		TOLERANCES UNLESS OTHERWISE SPECIFIED	
UNITS ■ mm □ INCH		0 PLC ± 1.00	
ANGLES 0 PLC ± 3		1 PLC ± 0.50	
1 PLC ± 2		2 PLC ± 0.25	
APPROVED BY	JACK	DATE	2019-3-26
CHECKED BY	CHARLES	DATE	2019-3-26
DRAWN BY	ANDY	DATE	2019-3-26



Dongguan Circon Technology Co.,Ltd.

TITLE: 00 METAL CIRCULAR CONNECTOR STRAIGHT PLUGS

C	DRAWING NO.	A-M-003	REV.
	PART NO.	00AM1XXXXXXA	A0

REV.	REVISION DESCRIPTION	ECR/ECN NO.	DATE	DRAWN BY	ANDY	DATE	2019-3-26	SIZE: A3	SCALE: 1:1	SHEET: 1 OF 1
------	----------------------	-------------	------	----------	------	------	-----------	----------	------------	---------------