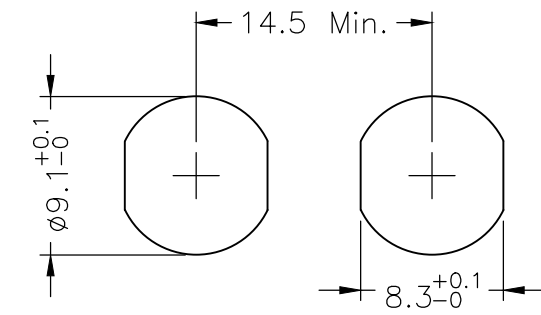
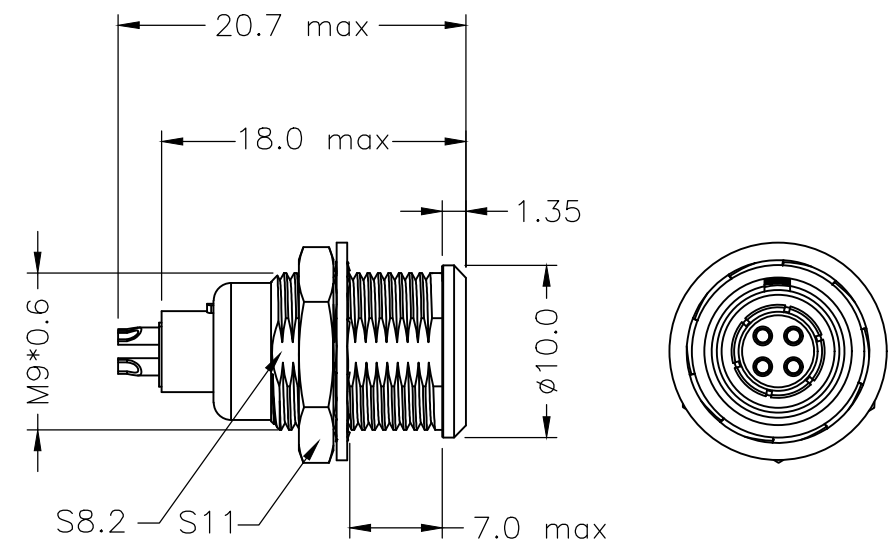


OB METAL CIRCULAR ASSEMBLY P/N DESCRIPTION :

OB A F2 X X XX X 00C
 ① ② ③ ④



PANEL CUT-OUT

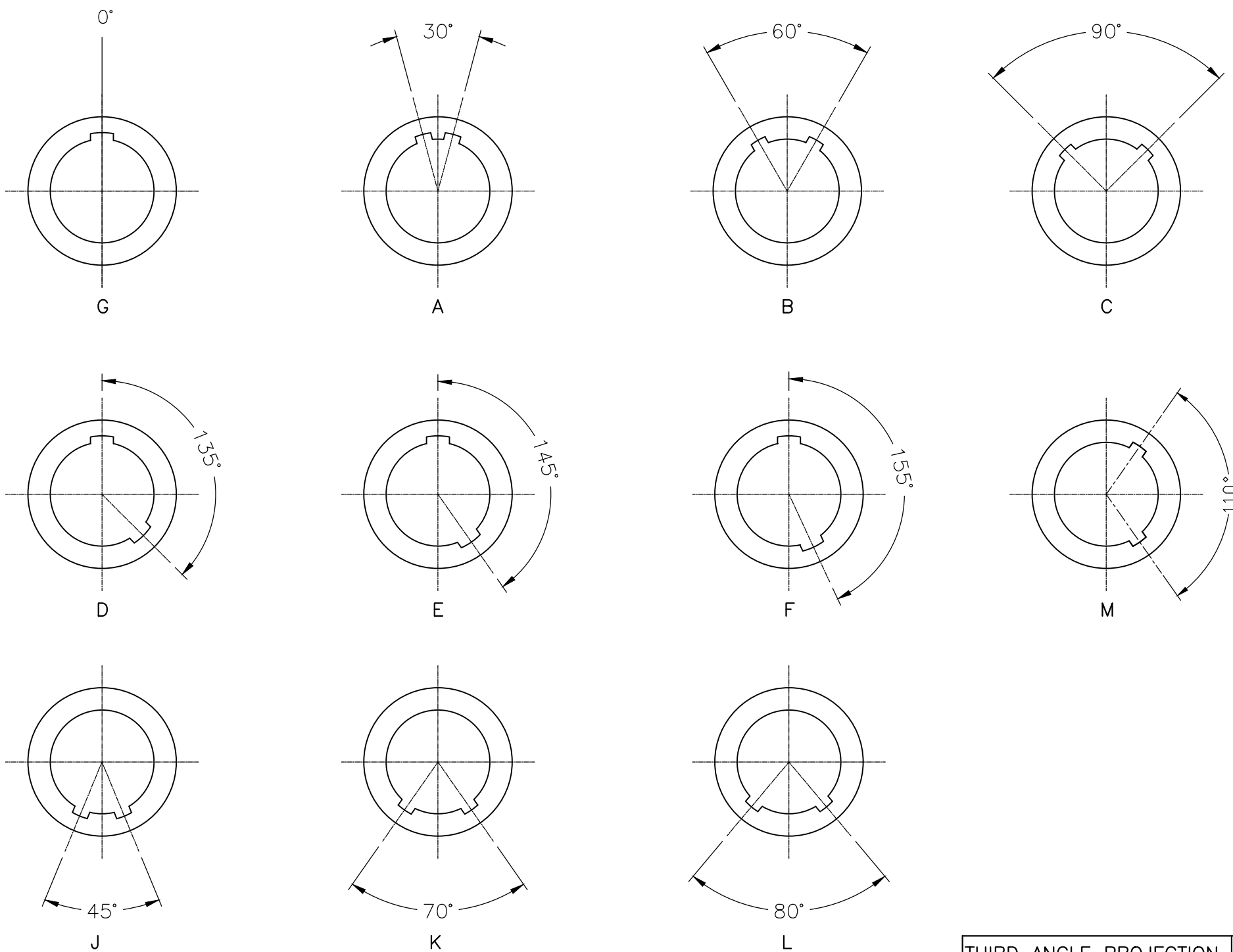
- ① Insert
 P=PEEK
 1=PPS
- ② Plating
 2=High Gold
 A=Gold flash
- ③ Number of contacts
 02=2Pin
 ⋮
 09=9Pin
- ④ Keying
 G= 0° D= 135° K= 70°
 A= 30° E= 145° L= 80°
 B= 60° F= 155° M=110°
 C= 90° J= 45°

NOTE:
 1. MATERIAL:
 1.1.SHELL ASSEMBLY: COPPER ALLOY, OUTER SHELL AND COLLET NUT Cr PLATING,
 OTHER METALLIC COMPONENTS Ni PLATING
 1.2.INSERT: THERMOPLASTIC, UL94V-0
 1.3.CENTER CONTACT : COPPER ALLOY, Au PLATING
 2.NUMBER OF CONTACT : 2 TO 9 POSITION
 3.RoHS DIRECTIVE COMPLIANCE

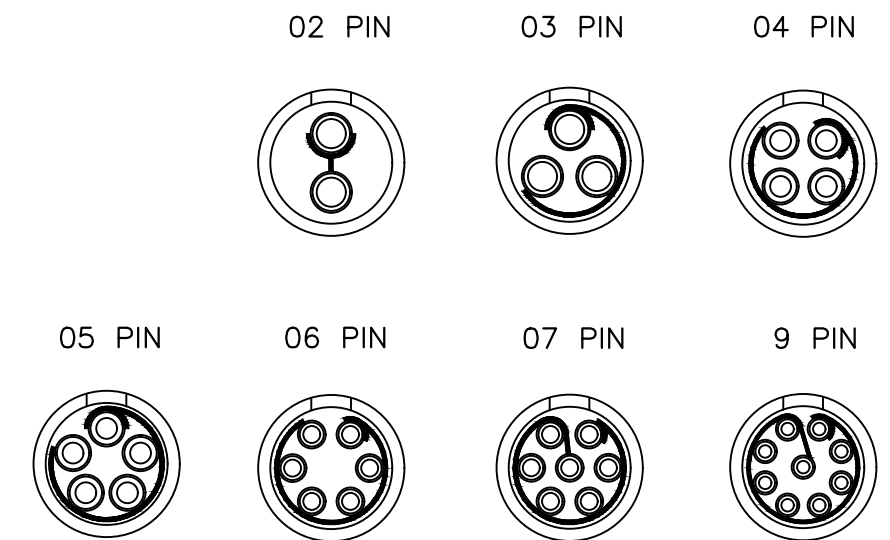
THIRD ANGLE PROJECTION 		TOLERANCES UNLESS OTHERWISE SPECIFIED		 Dongguan Circon Technology Co.,Ltd.	
UNITS <input checked="" type="checkbox"/> mm <input type="checkbox"/> INCH		0 PLC ± 1.00 1 PLC ± 0.50 2 PLC ± 0.25 3 PLC ± 4 PLC ±			
ANGLES 0 PLC ± 3 1 PLC ± 2		APPROVED BY JACK DATE 2017-9-28 CHECKED BY CHARLES DATE 2017-9-28		TITLE: OB METAL CIRCULAR CONNECTOR FIXED SOCKET	
DRAWN BY ANDY DATE 2017-9-28		C DRAWING NO. A-M-025 REV. A0 PART NO. OBAF2XXXXX00C		SIZE: A3 SCALE: 1:1 SHEET: 1 OF 2	

REV.	REVISION DESCRIPTION	ECR/ECN NO.	DATE	DRAWN BY	ANDY	DATE	2017-9-28	SIZE: A3	SCALE: 1:1	SHEET: 1 OF 2
------	----------------------	-------------	------	----------	------	------	-----------	----------	------------	---------------

KEYING ANGLES (RECEPTACLE FRONT VIEW):



VIEW FROM TERMINATION SIDE PIN PART



THIRD ANGLE PROJECTION 		TOLERANCES UNLESS OTHERWISE SPECIFIED	
UNITS <input checked="" type="checkbox"/> mm <input type="checkbox"/> INCH		0 PLC ± 1.00	
ANGLES 0 PLC ± 3		1 PLC ± 0.50	
1 PLC ± 2		2 PLC ± 0.25	
		3 PLC ±	
		4 PLC ±	

CIRCON[®]
Dongguan Circon Technology Co.,Ltd.
 TITLE: OB METAL CIRCULAR CONNECTOR
 FIXED SOCKET

APPROVED BY	JACK	DATE	2017-9-28
CHECKED BY	CHARLES	DATE	2017-9-28
DRAWN BY	ANDY	DATE	2017-9-28

C	DRAWING NO.	A-M-025	REV. A0
	PART NO.	OBAF2XXXXX00C	
SIZE: A3	SCALE: 1:1	SHEET: 2 OF 2	

REV.	REVISION DESCRIPTION	ECR/ECN NO.	DATE
------	----------------------	-------------	------