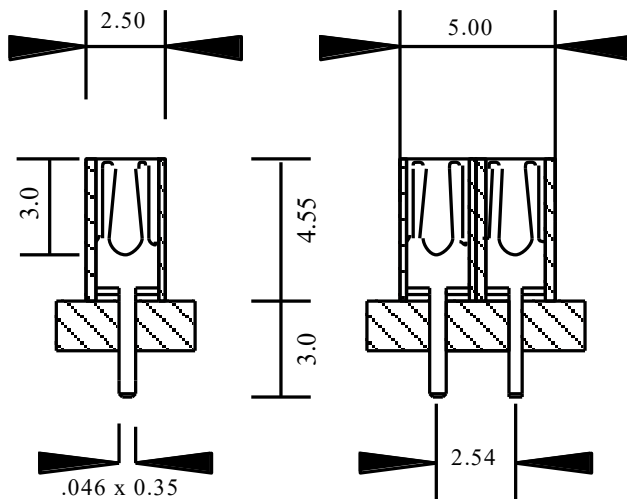
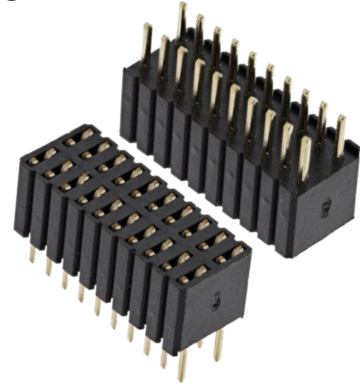




Data Sheet – 1.27mm Square Pin Header Sockets W534811(xx)SA Series W534821(xx)SA Series

The W534811(xx)SA - Single Row and W534821(xx)SA - Dual Row Series header sockets use a gold plated phosphor bronze contact. Moulding material is 30%GF Nylon rated to UL 94 V-0. The (xx) in the part number relates to the number of pins required. Sockets are available up to 32 pins for the single row and up to 2x50 pin for double row. Features include a serrated edge for easy cropping to desired pin length. Alternatively, pre-cut custom lengths are available.



Specifications

Current Rating	1 Amp
Insulation Resistance	5000 Meg Ohms
Operating Temperature	-40 ⁰ C to +105 ⁰ C
Max Processing Temperature	230 ⁰ C (30 Secs) 260 ⁰ C (60 Secs)
Contact Material	Phosphor Bronze
Insulation Material	Nylon (UL94V-0)
Plating	Gold Flash over Nickel
Contact Resistance	20 m Ohms



Solutions to Component Leadtime and Obsolescence

Also available from Winslow Adaptics are cost effective, time saving solutions to test, obsolescence, supply problems and upgrades. OEMs can upgrade equipment with custom Adaptics utilising additional logic, often saving considerable cost and time on re-design. If lead-time becomes an issue contact us for a suitable package converter. We specialise in conversion of all package lead-frames. For further information please contact your nearest sales office

sales@winslowadaptics.com

www.winslowadaptics.com