

8975-C 24 C00 D B 8 P T -P

Series \_\_\_\_\_  
 Position \_\_\_\_\_  
 C00: Selective Gold Plated Gold Flash  
 C15: Selective Gold Plated 15 μ"  
 D: SMD Type \_\_\_\_\_  
 B: Black  
 P: Plastic Pad  
 T: Tape & Reel Package  
 P: With Post  
 Type 8

REV.	SPECIFICATION	ECN NO.	APPD.

**Material:**

Housing: LCP, UL94V-0.  
 Contacts: Brass, Gold Plated on Contact Area and 100 u" Min Tin Plated on Solder Tail over Nickel 50 u" Min.  
 Shell: Steel, 50 u" Min Nickel Plated.

**Electrical Characteristics:**

Current Rating: 5.0A for VBUS (i.e., Pin A4, A9, B4 and B9).  
 1.25A for GND (i.e., Pin A1, A12, B1 and B12).  
 0.25A for other pins.

Dielectric Withstanding Voltage: AC 100V.

Insulation Resistance: 100MΩ min.

Contact Resistance: 40mΩ max.

Operating Temperature: -25°C~+85°C.

**Mechanical Characteristics:**

Insertion Force: 5N~20N.

Extraction Force: 8N~20N.

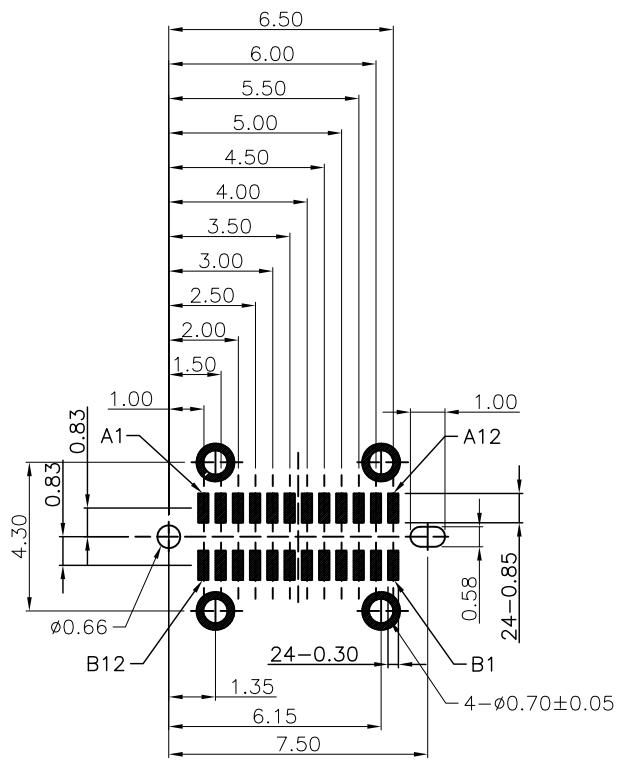
Durability: 10,000 Cycles.

**\*RoHS Compliant**

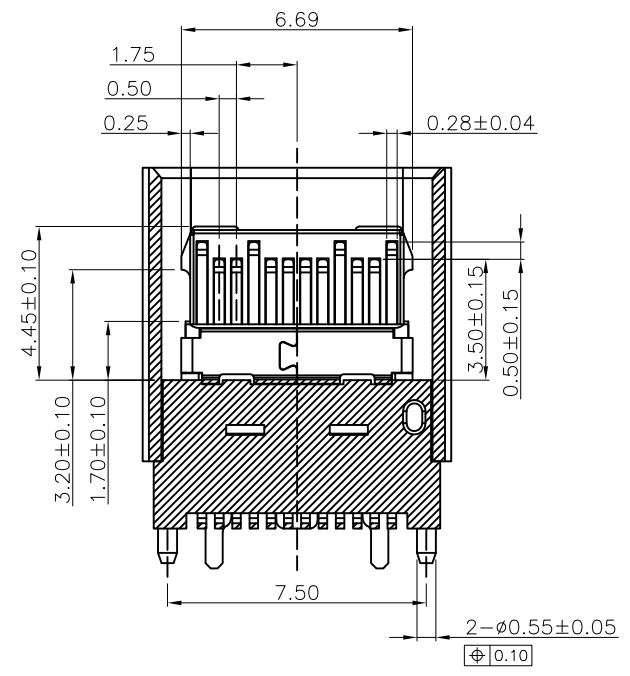
Tolerances	Dwg No.	8975D02006	Title:
x = ±0.50	Projection		8975 Series USB 3.1 C Type Receptacle SMD
.x = ±0.25	Unit	mm	
.xx = ±0.15	Scale	1:1	
	Drawn By	Lucas 05/02'18	①653

OUPIIN ELECTRONIC(KUNSHAN) CO., LTD.			
P/N: 8975-C24C00DB8PT-P			
SHEET	1/2	Ver.No.	A2

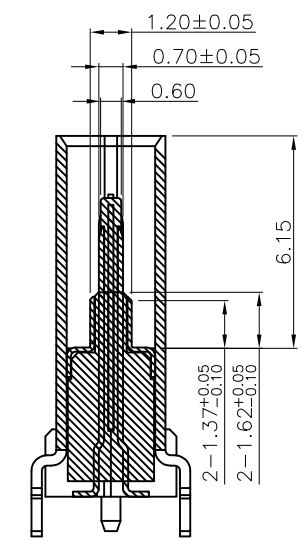
REV.	SPECIFICATION	ECN NO.	APPD.



P.C.Board Layout (T: 1.00mm)  
Tolerance: ±0.05(Top View)



SECTION B-B  
SCALE 1:1



SECTION A-A  
SCALE 1:1

A1	A2	A3	A4	A5	A6	A7	A8	A9	A10	A11	A12
GND	TX1+	TX1-	V <sub>bus</sub>	CC1	D+	D-	SBU1	V <sub>bus</sub>	RX2-	RX2+	GND
GND	RX1+	RX1-	V <sub>bus</sub>	SBU2	D-	D+	CC2	V <sub>bus</sub>	TX2-	TX2+	GND
B12	B11	B10	B9	B8	B7	B6	B5	B4	B3	B2	B1

Tolerances	Dwg No.	8975D02006	Title:
x = ±0.50	Projection		8975 Series USB 3.1 C Type Receptacle SMD
.x = ±0.25	Unit	mm	
.xx = ±0.15	Scale	1:1	
	Drawn By	Lucas 05/02'18	0653

Title:			
8975 Series			
USB 3.1 C Type			
Receptacle SMD			

OUPIIN ELECTRONIC(KUNSHAN) CO., LTD.			
P/N: 8975-C24C00DB8PT-P			
SHEET	2/2	Ver.No.	A2