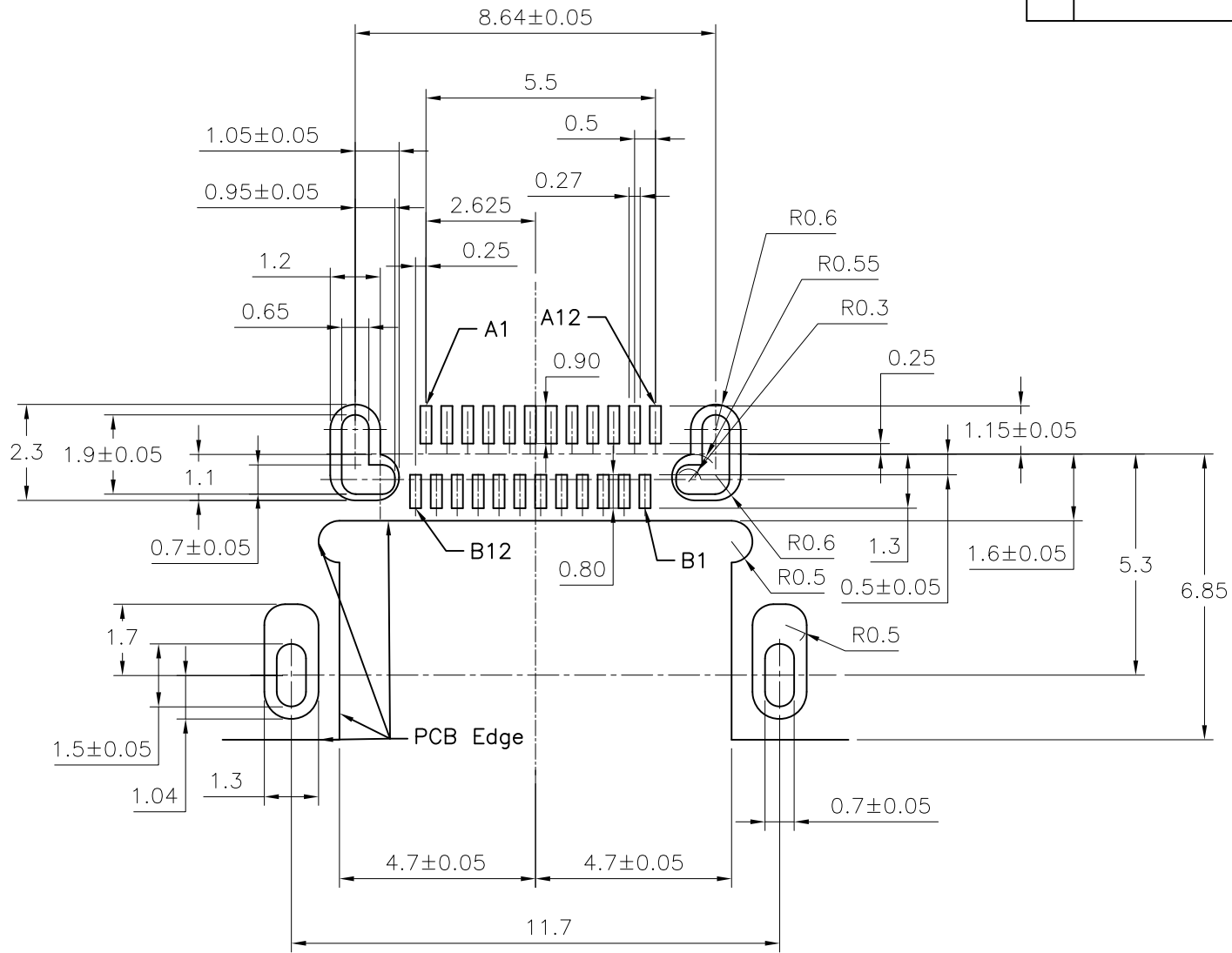


REV.	SPECIFICATION	ECN NO.	APPD.



P.C.Board Layout

Tolerances	Dwg No.	8975D02002
.X = ±0.30	Projection	
.XX = ±0.20	Unit	mm
.XXX = ±0.15	Scale	1:1
	Drawn By	Scott 09/08'16

Title:
8975 Series
USB 3.1 C Type
Receptacle SMD

OUPIIN ELECTRONIC(KUNSHAN) CO., LTD.			
P/N: 8975-C24C30DB5NT			
SHEET	2/2	Ver. No.	A4

① 661