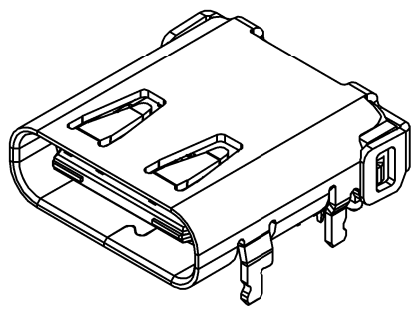
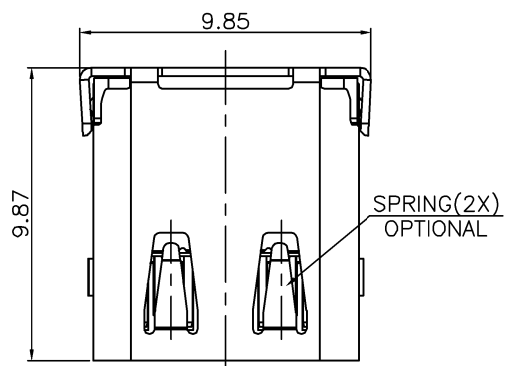


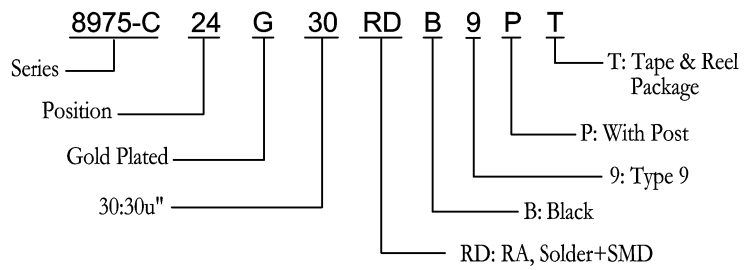
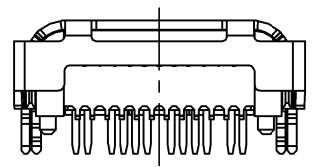
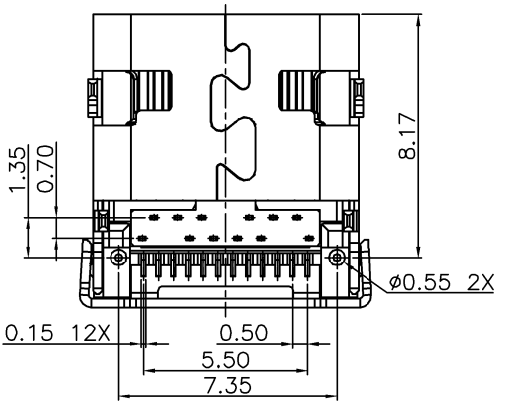
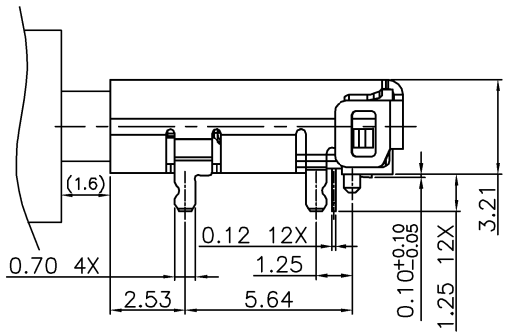
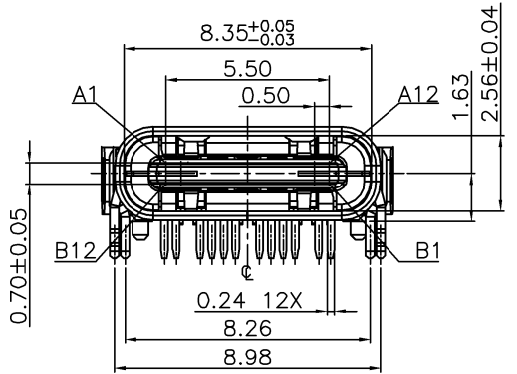
REV.	SPECIFICATION	ECN NO.	APPD.


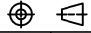


Material:
Housing: LCP, UL94V-0.
Contacts: C18080, Gold Plated on Contact Area and Gold Flash on solder tail over Nickel 40u".
Shell: Steel.

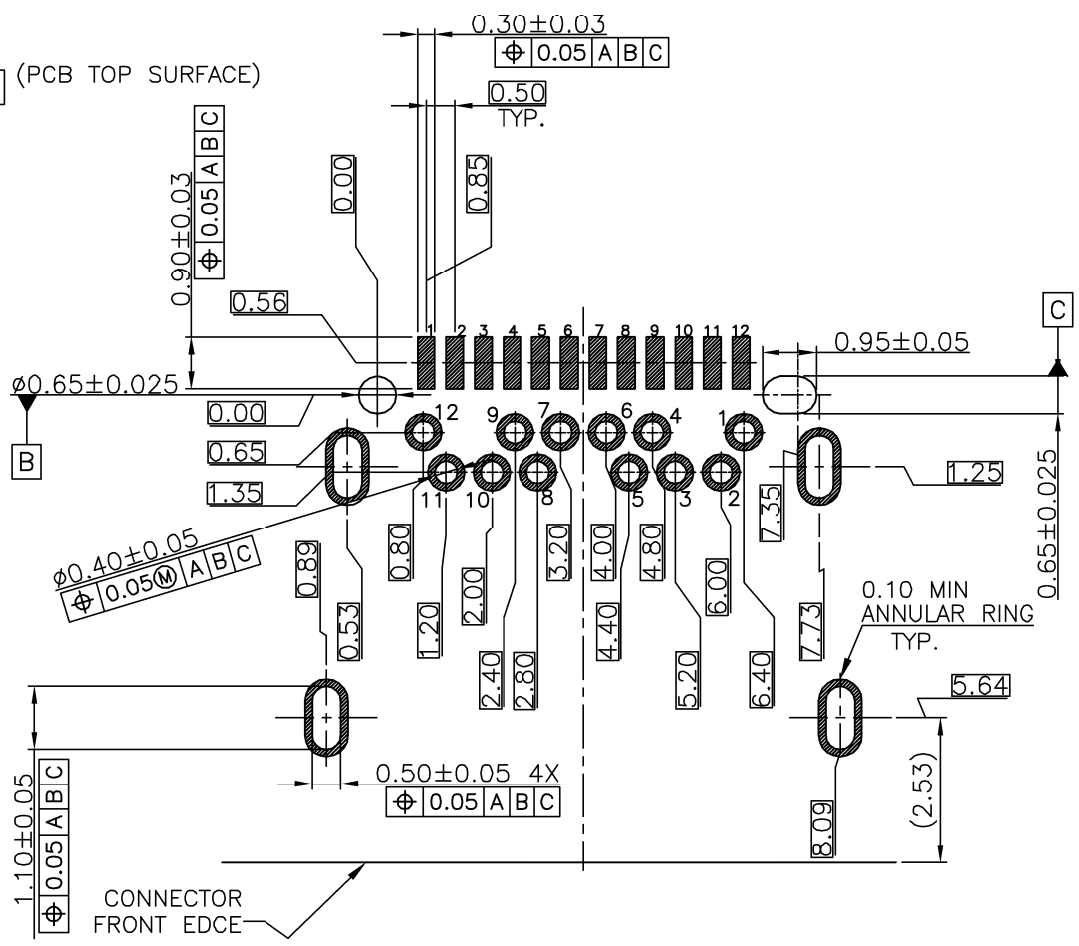
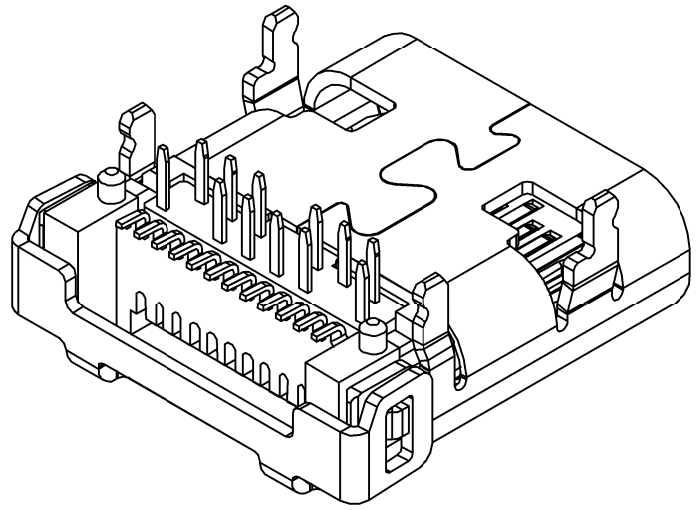
Electrical Characteristics:
Current Rating: 5.0A for VBUS.
6.25A for GND.
1.25A for Vconn.
0.25A for all the others contacts.
Dielectric Withstanding Voltage: AC 100V min.
Insulator Resistance: 100MΩ min. at DC 250V.
Contact Resistance: 40mΩ max.
Operating Temperature: -25°C~+85°C.

Mechanical:
Insertion Force: 5N~20N.
Withdrawal Force: 8N~20N, After 10000 Cycles Mating: 6N~20N.
***RoHS Compliant.**
Speed: 10Gbps.



Tolerances	Dwg No.	8975D02004	Title:		 OUPIN ELECTRONIC(KUNSHAN) CO., LTD. P/N: 8975-C24G30RDB9PT
x = ±0.50	Projection		8975 Series		
.x = ±0.25	Unit	mm	Scale	1:1	
.xx = ±0.15	Drawn By	Jerry 04/30'20	USB 3.1 C Type Receptacle Right Angle		
<div style="display: flex; justify-content: space-between;"> ①677 SHEET 1/2 Ver.No. A5 </div>					

REV.	SPECIFICATION	ECN NO.	APPD.



PIN	SIGNAL NAME	PIN	SIGNAL NAME
A1	GND	B12	GND
A2	SSTXp1	B11	SSRXp1
A3	SSTXn1	B10	SSRXn1
A4	VBUS	B9	VBUS
A5	CC1	B8	SBU2
A6	Dp1	B7	Dn2
A7	Dn1	B6	Dp2
A8	SBU1	B5	CC2
A9	VBUS	B4	VBUS
A10	SSRXn2	B3	SSTXn2
A11	SSRXp2	B2	SSTXp2
A12	GND	B1	GND

RECOMMENDED P.C.B. LAYOUT (T:1.00mm)
TOLERANCE UNSPECIFIED +0.05mm

Tolerances	Dwg No.	8975D02004
x = ±0.50	Projection	
.x = ±0.25	Unit	mm
.xx = ±0.15	Scale	1:1
	Drawn By	Jerry 04/30'20

Title: 8975 Series
USB 3.1 C Type
Receptacle Right Angle
①677

OUPIN ELECTRONIC(KUNSHAN) CO., LTD.			
P/N: 8975-C24G30RDB9PT			
SHEET	2/2	Ver.No.	A5