

1.Materials:

Housing: Hi-Temp Plastic,UL 94V-0

Shell: Copper Alloy,Nickel plating

Terminal: Copper Alloy,Gold plated on Contact Area,
Tin plated on Solder Tails

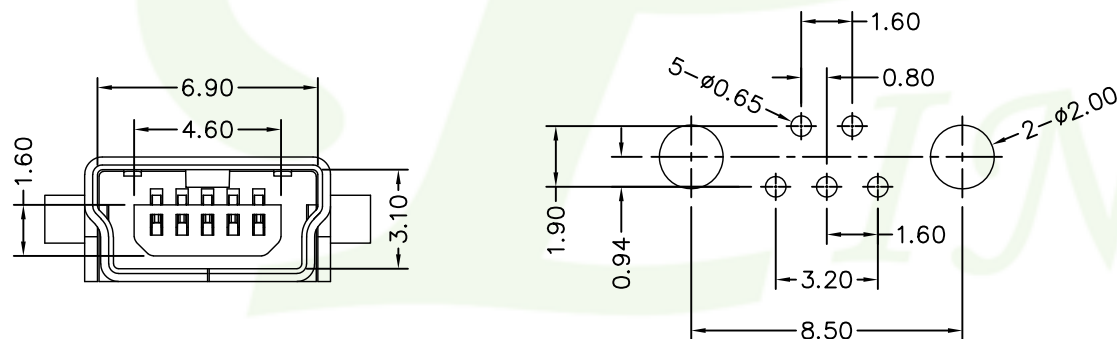
2.Specification

Current rating: 1Amp Max

Dielectric Withstanding: 1000V AC For one minute

Contact Resistance: 50m ohms max

Insulation Resistance: 100M OHMS MIN AT DC 100V



Recommended PCB Layout

Tolerance: ±0.05 mm (Top View)



		TOLERANCE		OLD PART NO.		TITLE	
		.0 =±.30		DRAWER 刘伟青		MINI USB 5P Female	
		.00 =±.25		CHECK 李剑		B Type-DIP 180°	
		.000 =±.15		APP'D 李剑		NEW PART NO. 984-3x-6056x7	
A RELEASE		2020/11/13		SHEET 1 OF 1		DRAW NO. 984-3x-6056x7 (網頁專用圖)	
REV. DESCRIPTION		DATE		SCALE NONE SIZE A4		REV. A	
		ANG.=±3°				PINREX TECHNOLOGY CORP.	

 頻銳科技股份有限公司
PINREX TECHNOLOGY CORP.