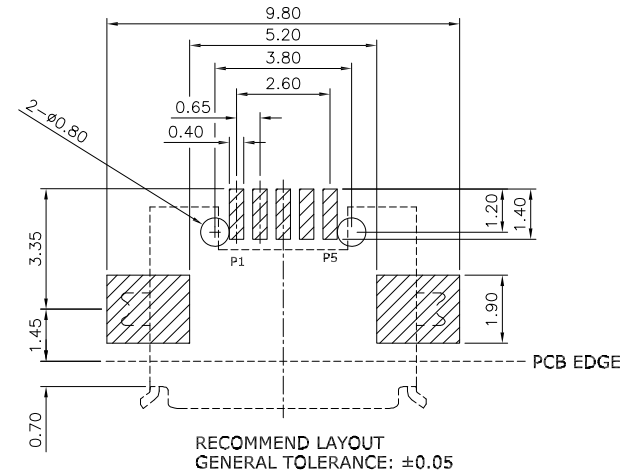
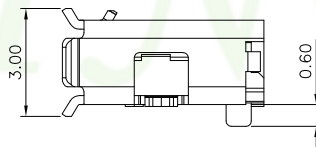


SECTION A-A



文管中心
2020.11.16
發行章

3	SHELL	STAINLESS STEEL 0.25T, 40u" NICKEL OVER PLATED
2	CONTACT	COPPER ALLOY 0.2T, CONTACT AREA : Au 30u" MIN. SOLDER AREA: Au 3u" MIN.
1	HOUSING	LCP, UL94V-0, GRAY
NO.	PART NAME	DESCRIPTION

REV.	DESCRIPTION	DATE
A	RELEASE	2020/11/13

TOLERANCE
 .0 = ±.30
 .00 = ±.20
 .000 = ±.XXX
 .0000 = ±.
 ANG. = ±3°

UNITS : mm
 SCALE NONE
 SIZE A4

OLD PART NO.
 DRAWER 刘伟奇
 CHECK 李剑
 SHEET 1 OF 1
 REV. A
 APP'D 李剑

TITLE
 MICRO USB AB RECEPTACLE
 SMD TYPE
 NEW PART NO.
 984-73-2052xx

PINREX 頻銳科技股份有限公司
 PINREX TECHNOLOGY CORP.
 DRAW NO.
 984-73-2052xx(網頁專用圖)