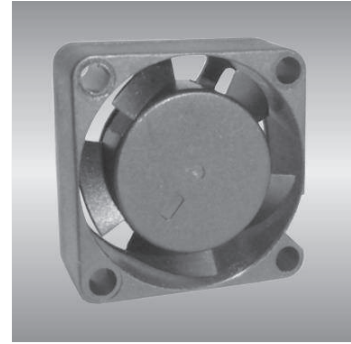


20

AGE series

20X20X06mm



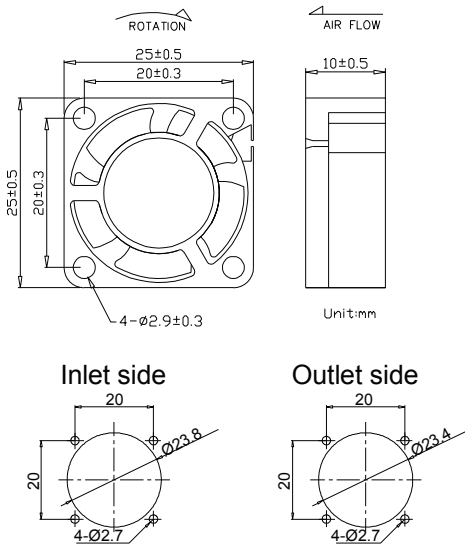
● General Specification

- Material ----- Frame & Impeller : PBT (UL94V-0)
- Operation Temp. -- Two ball bearing : -10°C~70°C
Fluid bearing : -10°C~50°C
- Lead Wires ----- UL 1571 AWG#32 (2 wires) / 32 (3 wires)
Red Wire : + Yellow Wire : Tach signal
Black Wire : -
- Weight ----- 7g

● Specification *Bearing system B:two ball bearing F:fluid bearing

Model	*Bearing System	Rated Voltage	Operating Voltage	Rated Current	Rated Speed	Maximum Air Flow	Maximum Air Pressure	Sound Level	P-Q Curve		
P/N	B / F	V	V	A	RPM	m³/min	CFM	mm-H₂O	In-H₂O	dB-A	No.
AGE02006F05L	F	5	4.5~5.5	0.02	7000	0.01	0.35	0.81	0.03	10	①
AGE02006F05M	F	5	4.5~5.5	0.05	10000	0.02	0.71	1.9	0.07	16	②
AGE02006F05H	F	5	4.5~5.5	0.10	13000	0.03	1.06	3.2	0.13	16	③

● Drawing & Panel Cut Outs



● Characteristic Curves

