

High Performance Power Inlet Filter



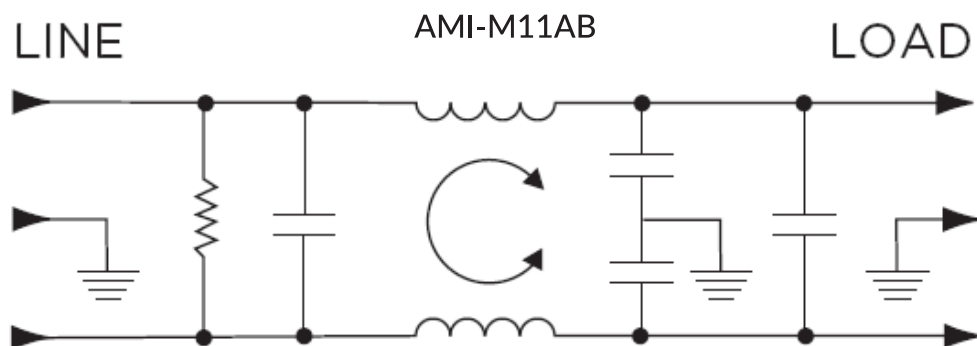
AMI-M11AB Series

Metal Enclosure Single Phase Stage Filter

AMI Designation	Input/output Style				Current Rating	Inductance	Capacitance		Resistor	Leakage Current @ 120 VAC 60Hz/250 VAC 50 Hz	TIL Insertion Loss	Case Style
							Cx	Cy				
Available Part Numbers	0.250 Spade Terminals		Wire Leads			mH	nF	pF	KΩ	mA		
	Back	Bottom	Back	Bottom								
AMI-M11AB-1-1-B	1	-	-	-	1	3.7	200	3000	1000	0.25/ 0.50	001	A
AMI-M11AB-1-3-B	1	-	-	-	3	2	200	3000	1000	0.25/ 0.50	002	A
AMI-M11AB-1-6-B	1	-	-	-	6	0.93	200	3000	1000	0.25/ 0.50	003	A
AMI-M11AB-1-10-B	1	-	-	-	10	0.36	200	3000	1000	0.25/ 0.50	004	A
AMI-M11AB-1A-1-B	-	1A	-	-	1	3.7	200	3000	1000	0.25/ 0.50	001	B
AMI-M11AB-1A-3-B	-	1A	-	-	3	2	200	3000	1000	0.25/ 0.50	002	B
AMI-M11AB-1A-6-B	-	1A	-	-	6	0.93	200	3000	1000	0.25/ 0.50	003	B
AMI-M11AB-4-1-B	-	-	-	4	1	3.7	200	3000	1000	0.25/ 0.50	001	C
AMI-M11AB-4-3-B	-	-	-	4	3	2	200	3000	1000	0.25/ 0.50	002	C
AMI-M11AB-4-6-B	-	-	-	4	6	0.93	200	3000	1000	0.25/ 0.50	003	C
AMI-M11AB-8-1-B	-	-	8	-	1	3.7	200	3000	1000	0.25/ 0.50	001	D
AMI-M11AB-8-3-B	-	-	8	-	3	2	200	3000	1000	0.25/ 0.50	002	D
AMI-M11AB-8-6-B	-	-	8	-	6	0.93	200	3000	1000	0.25/ 0.50	003	D

High Performance Power Inlet Filter

Electrical Schematic



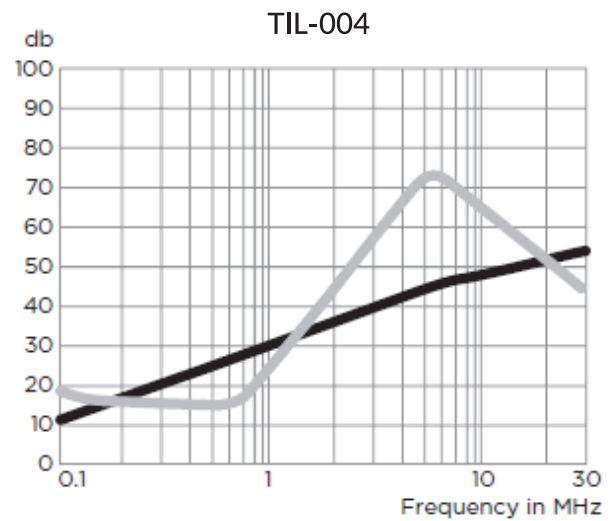
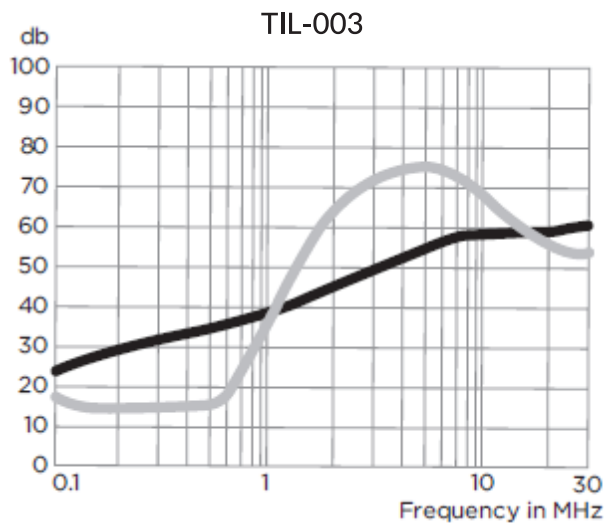
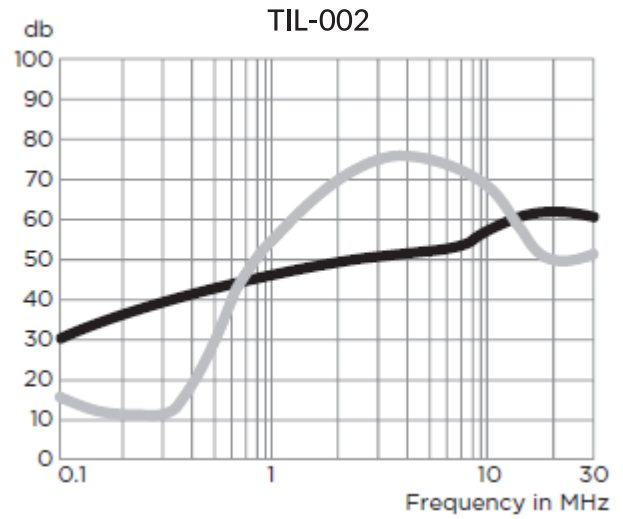
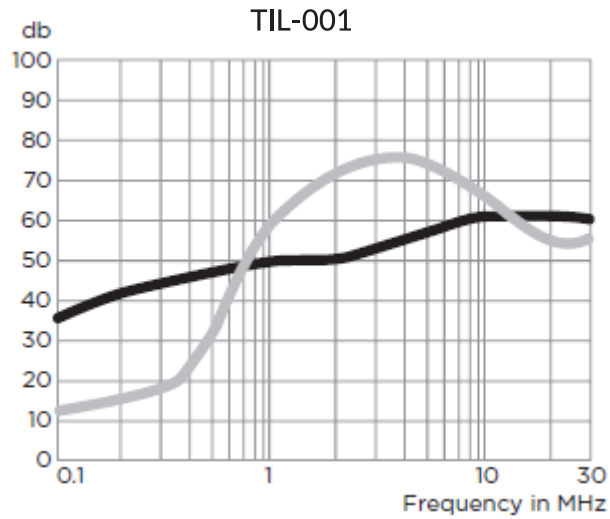
Specifications:

- Rated Voltage (max): 250 VAC
- Operating Frequency: 50/60 Hz
- Operating Current: 1 to 10A
- Hi-pot Rating (one minute): Line to Ground: 2250 VDC
Line to Line: 1450 VDC
- Operating Ambient Temperature Range (at rated current I_r): -10°C to +40°C. In an ambient temperature (T_a) higher than +40°C the maximum operating current (I_o) is calculated as follows: $I_o = I_r \sqrt{[(85 - T_a) / 45]}$

High Performance Power Inlet Filter

Performance Data Typical Insertion Loss

Measured in closed 50 Ohm system



- Common Mode / Asymmetrical (L-G)
- Differential Mode / Symmetrical (L-L)

High Performance Power Inlet Filter

Minimum Insertion Loss

Measured in closed 50 Ohm system

Common Mode/Asymmetrical (Line to Ground)

Current Rating	Frequency-MHz					
	.15	0.5	1	5	10	30
AMI-M11AB-X-1-B (X=1 1A 4 8)	25	35	40	50	50	50
AMI-M11AB-X-3-B (X=1 1A 4 8)	20	30	37	47	48	50
AMI-M11AB-X-6-B (X=1 1A 4 8)	15	22	25	40	45	50
AMI-M11AB-1-10-B	7	14	20	35	39	48

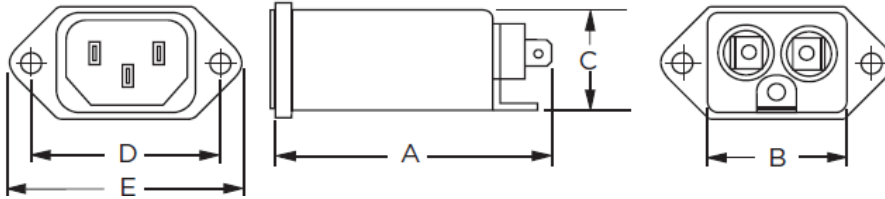
Differential Mode/Symmetrical (Line to Line)

Current Rating	Frequency-MHz						
	.15	.5	1	5	10	20	30
AMI-M11AB-X-1-B (X=1 1A 8)	5	35	50	60	60	40	40
AMI-M11AB-X-3-B (X=1 1A 8)	5	25	45	60	55	34	34
AMI-M11AB-X-6-B (X=1 1A 8)	10	10	40	65	60	40	40
AMI-M11AB-1-10-B	10	10	27	65	56	38	38
AMI-M11AB-4-1-B	5	35	50	60	60	33	33
AMI-M11AB-4-3-B	5	30	45	60	55	34	34
AMI-M11AB-4-6-B	10	10	40	65	60	33	33

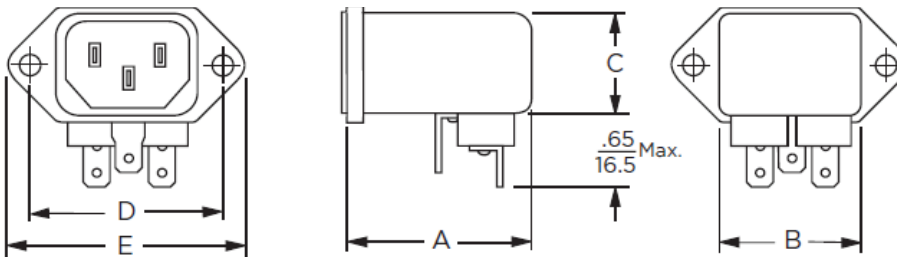
High Performance Power Inlet Filter

Case Styles

STYLE A



STYLE B



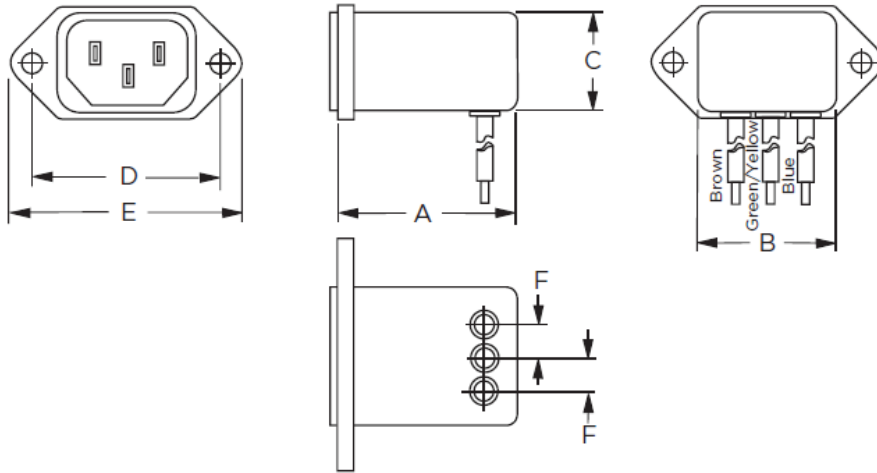
Typical Dimensions:

- Line Inlet (1): IEC 60320-1 C14
- Load Terminals (2): .250 [6.3] with .07 [1.8] Dia. hole
- Ground Terminal (1): .250 [6.3] with .07 x .16 [1.8 x 3.8] slot

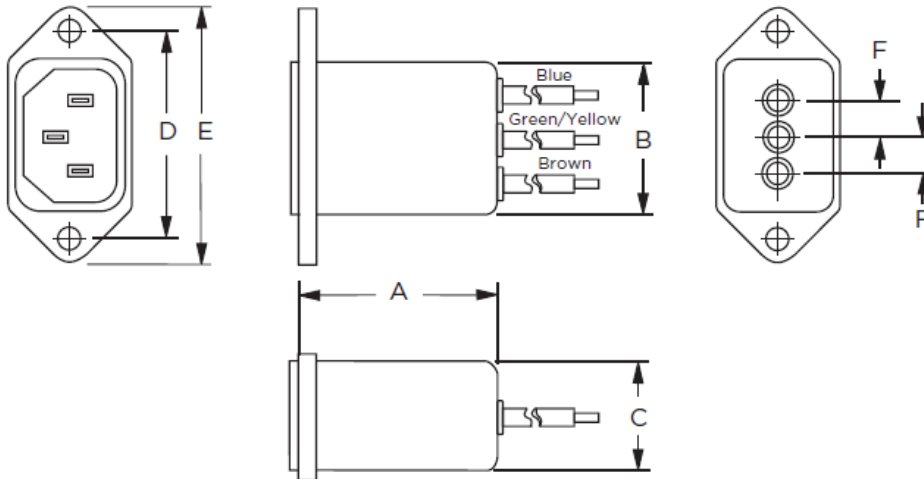
High Performance Power Inlet Filter

Case Styles

STYLE C



STYLE D



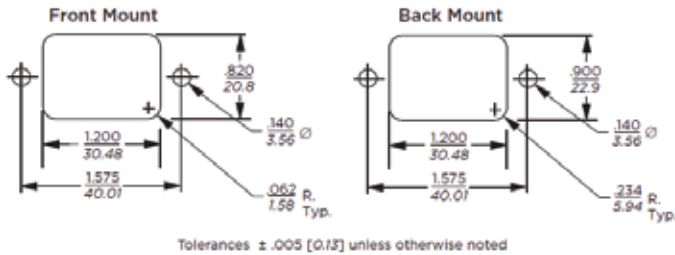
Typical Dimensions:

Line Inlet (1):
Wire Leads:

IEC 60320-1 C14
4.0 [101.6] Min., 18AWG, UL1015

High Performance Power Inlet Filter

Recommended Panel Cutouts



Note 1: EC1 and EC8 allow for front or back mounting
 Note 2: EC2 and EC4 allow for back mounting only

Note:

AMI-M11AB-1-X-B (X=1, 3, 6, 10)	Allow for front or back mounting
AMI-M11AB-8-X-B (X=1, 3, 6)	
AMI-M11AB-1A-X-B (X=1, 3, 6)	Allow for back mounting only
AMI-M11AB-4-X-B (X=1, 3, 6)	

Case Dimensions:

Model Number	A max	B max	C max	D $\begin{smallmatrix} \pm .015 \\ \pm .38 \end{smallmatrix}$	E max	F max
AMI-M11AB-1-X-B (X=1 3 6 10)	2.62"/66.5mm	1.19"/30.2mm	0.81"/20.6mm	1.575"/40.01mm	1.98"/50.3mm	-
AMI-M11AB-1A-X-B (X=1 3 6)	1.97"/50.0mm	1.19"/30.2mm	0.85"/21.6mm	1.575"/40.01mm	1.98"/50.3mm	-
AMI-M11AB-4-X-B (X=1 3 6)	1.97"/50.0mm	1.19"/30.2mm	0.85"/21.6mm	1.575"/40.01mm	1.98"/50.3mm	0.295"/7.5mm
AMI-M11AB-8-X-X (X=1 3 6)	1.97"/50.0mm	1.19"/30.2mm	0.81"/20.6mm	1.575"/40.01mm	1.98"/50.3mm	0.298"/7.5mm