

Metal Enclosure/PCBA style Single Phase Single Stage Filters AMI -M11AV Series



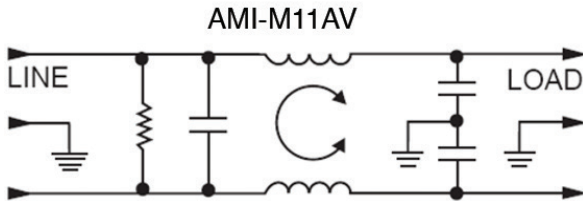
AMI Designation	Input/ Output Style		Current Rating	Inductance mH	Capacitance		Resistor KΩ	Case Style	Approvals
					Cx Cy	nF pF			
Available Part Numbers	6.3mm Spade Terminals	PCBA TYLE							
AMI-M11AV-1-3-B	1	-	3	1.45	100	5500	3300	A	UL
AMI-M11AV -1S-3-B	1	-	3	1.45	100	5500	3300	B	UL
AMI-M11AV-13-3-B	-	13	3	1.45	100	5500	3300	C	UL
AMI-M11AV-1-6-B	1	-	6	.465	100	5500	3300	A	UL
AMI-M11AV-1S-6- B	1	-	6	.465	100	5500	3300	B	UL
AMI-M11AV-13-6-B	-	13	6	.465	100	5500	3300	C	UL
AMI-M11AV-1-10-B	1	-	10	0.1	100	5500	3300	A	UL
AMI-M11AV-1S-10- B	1	-	10	0.1	100	5500	3300	B	UL
AMI-M11AV-13-10-B	-	13	10	0.1	100	5500	3300	C	UL
AMI-M11AV-1-15-B	1	-	15	0.024	100	5500	3300	A	UL
AMI-M11AV-1S-15- B	1	-	15	0.024	100	5500	3300	B	UL
AMI-M11AV-13-15-B	-	13	15	0.024	100	5500	3300	C	UL

Metal Enclosure/PCBA style

Single Phase Single Stage Filters

AMI -M11AV Series

Electrical Schematics



SPECIFICATIONS:

- Rated Voltage (max): 125VDC
- Operating Frequency: 50/60 Hz
- Operating Current: 3 to 15 A
- Hi-pot Rating (one minute): Line to Ground: 2250 VDC, Line to Line: 1450 VDC
- Operating Ambient Temperature Range(at rated current I_r): -10°C to $+40^{\circ}\text{C}$. In an ambient temperature (T_a) higher than $+40^{\circ}\text{C}$ the maximum operating current (I_o) is calculated as follows: $I_o = I_r \sqrt{[(85-T_a)/45]}$

Minimum Insertion Loss

Measured in closed 50 Ohm system

Common Mode/Asymmetrical (Line to Ground)

Current Rating	FREQUENCY - MHZ										
	0.05	0.1	0.15	0.5	1	3	5	10	30	100	200
3A	6	9	11	26	41	48	52	55	46	22	16
6A	2	4	6	18	30	37	42	48	42	/	/
10A	/	1	4	8	17	25	30	36	38	21	11
15A	/	/	/	3	5	13	19	25	29	10	14

Differential Mode/Symmetrical (Line to Line)

Current Rating	FREQUENCY - MHZ										
	0.05	0.1	0.15	0.5	1	3	5	10	30	100	200
3A	/	4	7	16	18	37	47	50	43	31	36
6A	/	4	7	19	21	27	40	53	41	/	/
10A	2	4	6	17	22	23	32	48	38	30	26
15A	/	/	2	17	19	29	33	37	37	31	28

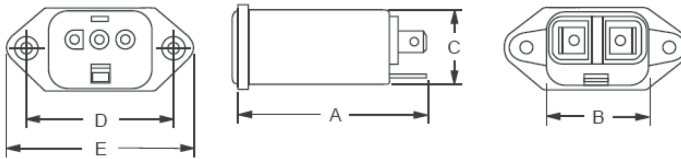
Metal Enclosure/PCBA style

Single Phase Single Stage Filters

AMI -M11AV Series

Case Style

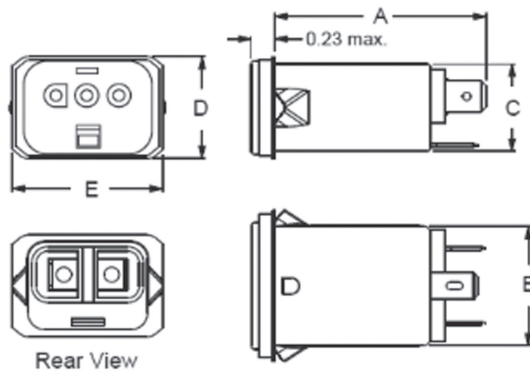
STYLE A



Typical Dimensions:

Load Terminals (2): .250 [6.3] with .07 [1.8] Dia. hole
 Ground Terminal (1): .250 [6.3] with .07 x .16 [1.8 x 3.8] slot
 Mounting Holes (2): .187 ± .008 [4.75 ± .20] Dia.
 90° countersunk for # 4 flathead screw

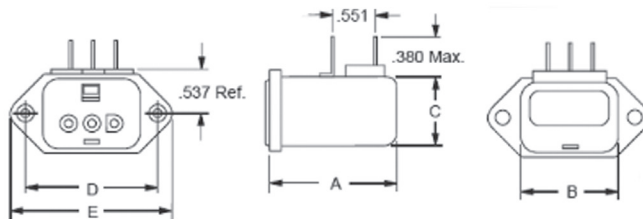
STYLE B



Typical Dimensions:

Load Terminals (2): .250 [6.3] with .07 [1.8] Dia. hole
 Ground Terminal (1): .250 [6.3] with .07 x .16 [1.8 x 3.8] slot

STYLE C

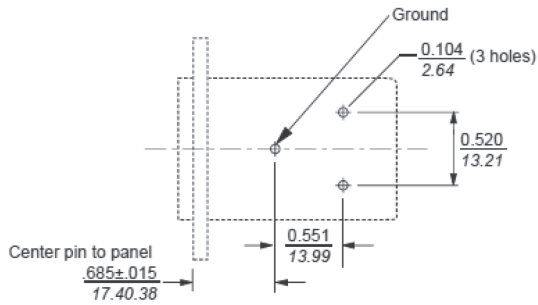


Typical Dimensions:

Pins (3): .031 x .06 ± .003
 Mounting Holes (2): 0.187 ± .008 [4.75 ± .20] Dia.
 90° countersunk for # 4 flathead screw

Metal Enclosure/PCBA style Single Phase Single Stage Filters AMI -M11AV Series

PC BOARD LAYOUT



CASE DIMENSIONS:

Model Number	A max	B max	C max	D (±.015)/(±.38)	E max
AMI-M11AV-1-X-B	2.15"/54.61mm	1.12"/28.45mm	0.81"/20.57mm	1.575"/40.01mm	1.98"/50.29mm
AMI-M11AV-1S-X-B	1.98"/50.29mm	1.10"/27.94mm	0.81"/20.57mm	0.96"/24.38mm	1.41"/35.81mm
AMI-M11AV-13-X-B	1.54"/39.12mm	1.12"/28.45mm	0.81"/20.57mm	1.575"/40.01mm	1.98"/50.29mm