

Features

- PP film design, good temperature characteristics
- Stable capacity
- Low ESR, high ripple current handling capabilities
- Self-healing property
- Metal case, filled with fire-retardant resin

Applications

- Transportation: Rail transportation
- High voltage, high power converter, converter

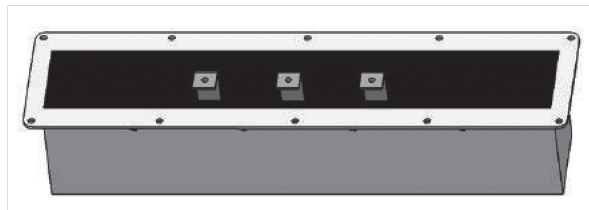
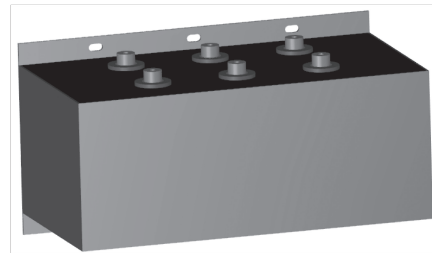
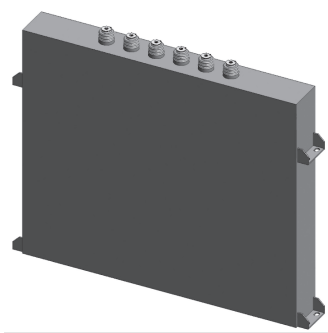
特点

- 采用聚丙烯薄膜，温度特性好
- 容值稳定，变化率小
- 等效串联电阻小，能承受较大的纹波电流
- 有自愈性
- 金属外壳，阻燃树脂灌封

应用场合

- 交通工具，如：轨道交通
- 高压大功率变频器，变流器

外形图 Dimensions



标识 Marking

	—	1
FCS2KDM258K019020017	—	2
CBB133	—	3
2500 μ F \pm 10%	—	4
$U_R=800$ VDC SH	—	5
$U_{TC}=3000$ V 50/60Hz	—	6
-40~+85 $^{\circ}$ C IEC61071	—	7
Discharge before handling	—	8
J35F23104	—	9

NO.	项目 Item
1	商标 Brand
2	产品代码 Products code
3	产品系列 Products series
4	容量和偏差 Capacitance and Tolerance
5	额定电压和自愈性 Rated voltage and Self-healing property
6	端子与铝壳电压 U_{TC} Voltage Between Terminals and Case
7	温度范围 Temperature Range 引用标准 Reference Standard
8	安全警示 Safety Warning
9	年度标记 Year code 二维码 QR Code

性能特性 Specifications

项目 Item	特性 Characteristics
引用标准 Reference Standard	GB/T 17702 (IEC 61071)
气候类别 Climatic Category	40/85/56
工作环境温度范围 Operating environment Temperature Range	-40~+70°C ($\theta_{\text{hotspot}} \leq 85^\circ\text{C}$)
存储温度范围 Storage Temperature Range	-40~+85°C
额定电压 U_R Rated Voltage	800~5000V _{DC}
电容量范围 Capacitance Range	500~210000 μF
电容量偏差 Capacitance Tolerance	$\pm 5\%$ (J), $\pm 10\%$ (K)
端子与端子电压 U_T Voltage Between Terminals	$1.5 \times U_R$ V _{DC} , 10s (20 °C)
端子与铝壳电压 U_{TC} Voltage Between Terminals and Case	> 3000 V _{AC} , 10s (20°C, 50 Hz)
介质损耗角正切 Dielectric Dissipation Factor	$\leq 2 \times 10^{-4}$
绝缘电阻 Insulation Resistance	$IR \cdot C \geq 5000$ s (20°C, 100V _{DC} , 1min)
过电压 Over Voltage	$1.1U_R$ (30% of on-load-duration)
	$1.15U_R$ (30 min/day)
	$1.2U_R$ (5 min/day)
	$1.3U_R$ (1 min/day)
	$1.5U_R$ (30 ms every time, 100ms/day)
预期寿命 Life Expectancy	100000 hours (U_R , $\theta_{\text{hotspot}} = 70^\circ\text{C}$)
失效率 Failure Rate	100 FIT

规格标准 Standard Ratings

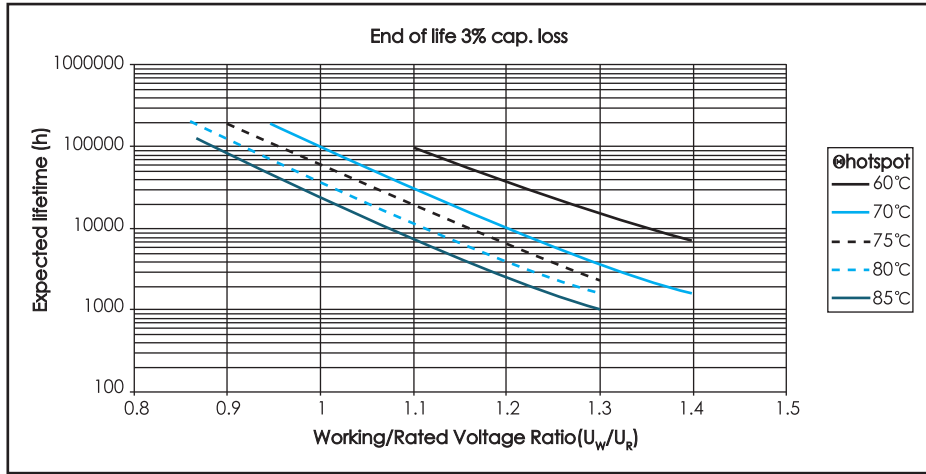
U_R	C_R	P/N	$I_{\text{max}}(\text{A})$	\hat{I}	R_s	L_s	W	H	T
(V)	(μF)	-	60°C	(A)	(m Ω)	(nH)	(mm)	(mm)	(mm)
750	2800	FCSQ3DM288K024010013	80	2200	0.8	80	240	103	125
	3800	FCSQ3DM388K049011009	80	3800	0.6	80	490	110	84
800	2500	FCS2KDM258K019020017	250	3500	0.6	50	190	195	170
	2500	FCS2KDM258K040012011	300	3500	0.4	50	402	116	110
900	18000	FCSR2DM189K050021027	400	3600	0.7	50	500	460	120
950	2500*3	FCSK3DM258J050021027	135*3	8400*3	1.5*3	50	500	205	270
	3750*2	FCSK3DM758J050021027	140*2	6200*2	1.2*2	50	500	205	270
1020	13500	FCS3ADM139K033065017	300	5050	0.5	60	330	650	170
1200	900	FCS3BDM907K016015016	100	9000	1.0	80	163	152	162
	8000	FCS3BDM808K062020014	260	6000	0.5	80	620	200	140
	9000	FCS3BDM908J068021023	500	18000	1.2	50	680	210	230
	20000	FCS3BDM209S028070016	250	100000	1	50	280	700	155
	65000	FCS3BDM659S046088019	400	300	1	50	460	880	185
2250	4000	FCS3TDM408J034018067	400	19000	0.5	60	340	175	670
2500	30000	FCS3EDT30MFK040117022	100	90000	0.8	100	395	1170	220
3000	1500	FCS3FDM158J034036023	150	4000	1.0	100	340	360	230

注：详细的产品说明和外形尺寸图，请索取产品规格书

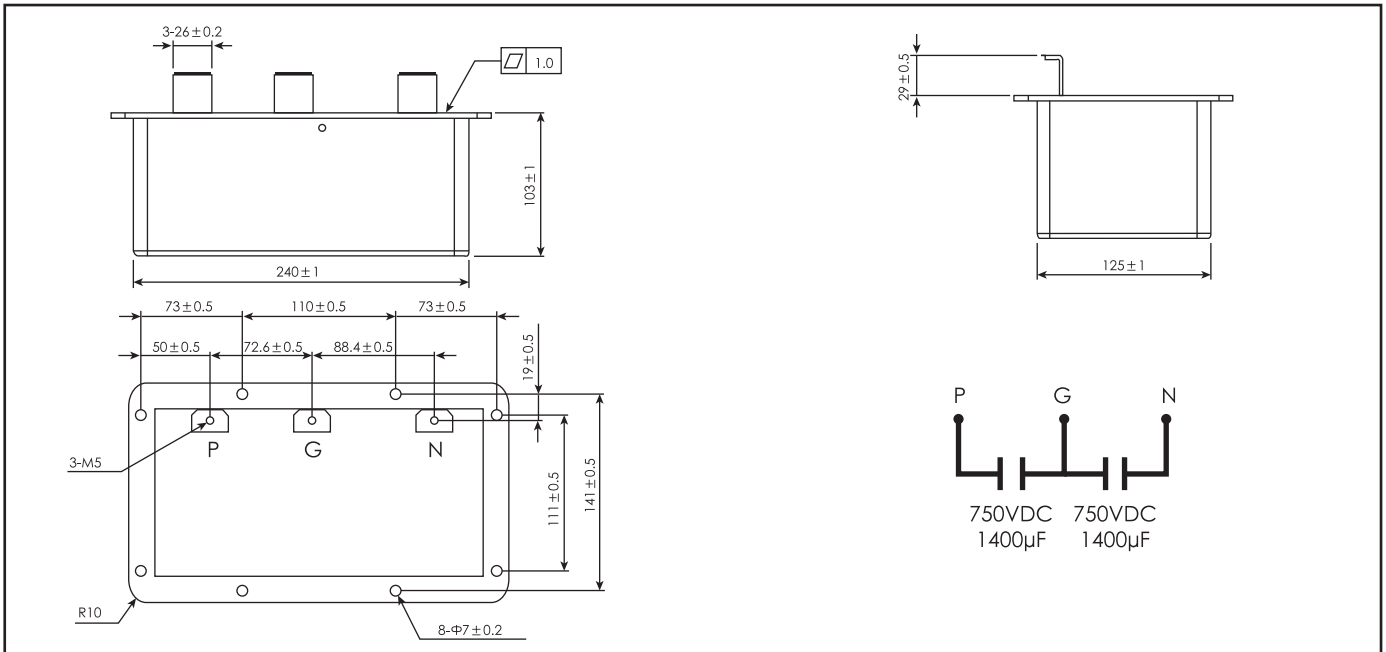
Note: For detail description and outline drawing of product, please see the specifications.

根据客户要求定制。Customer products are available on request.

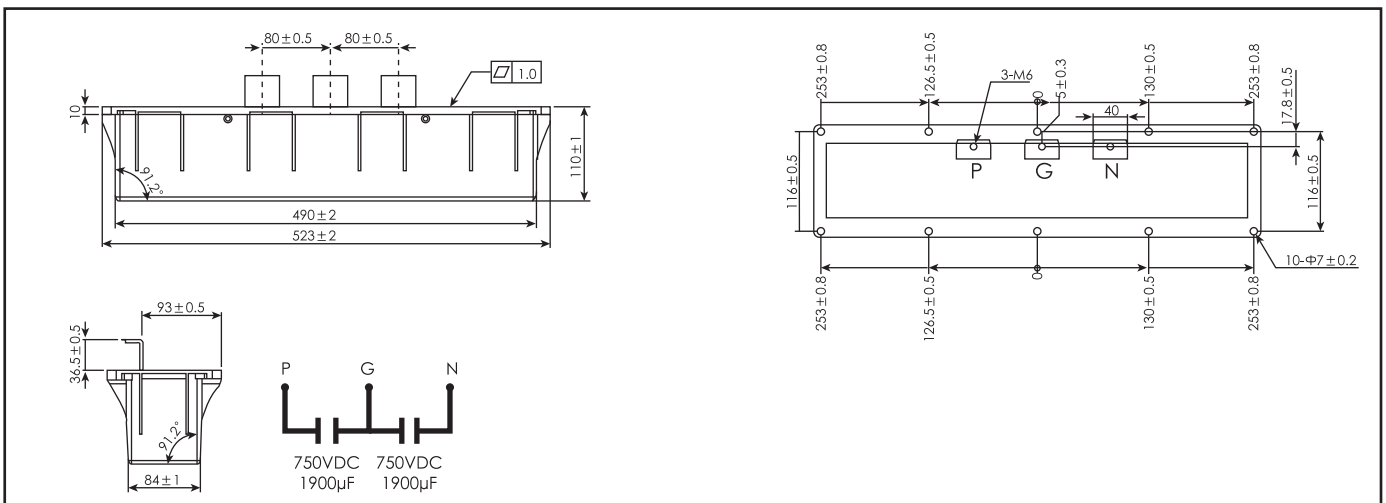
预期寿命曲线 Expected lifetime curve



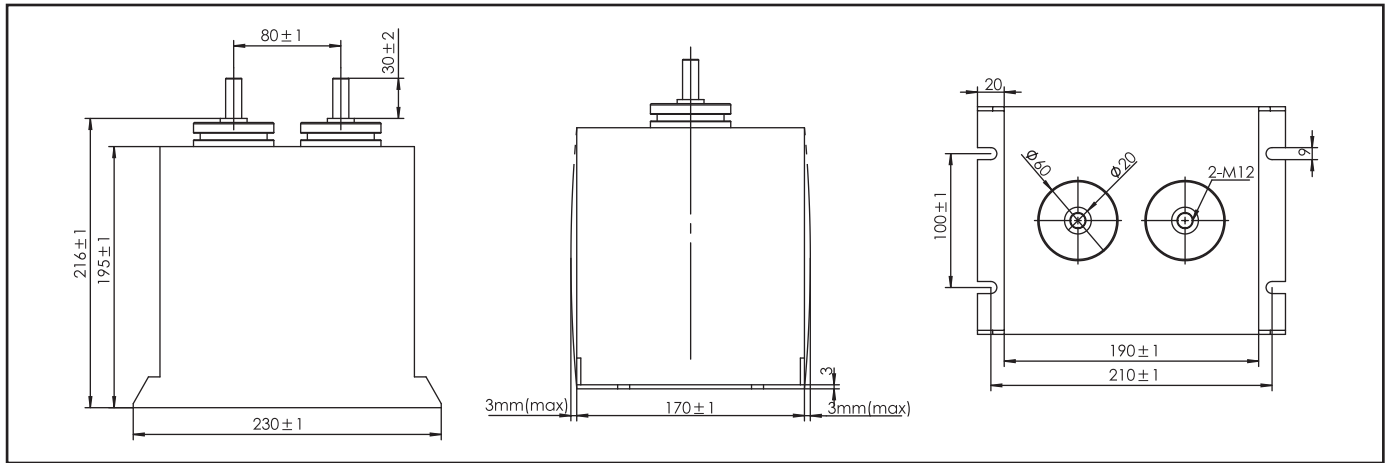
图一 Style 1



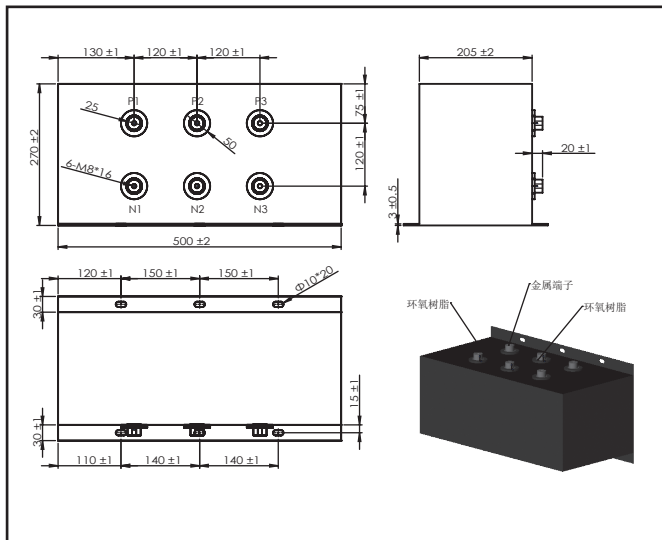
图二 Style 2



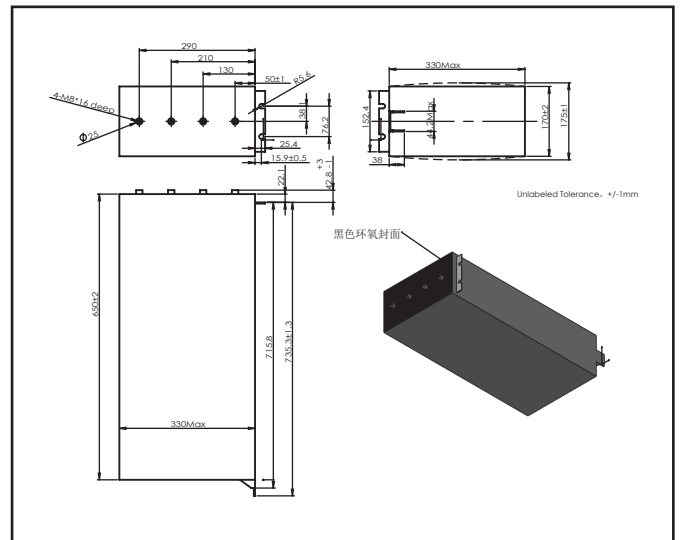
图三 Style 3



图四 Style 4



图五 Style 5



图六 Style 6

