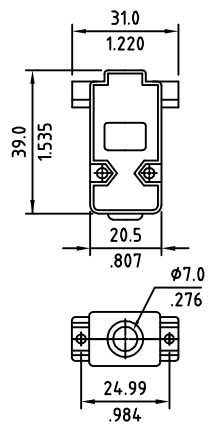
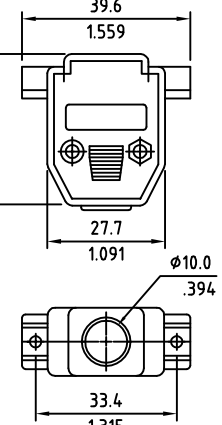
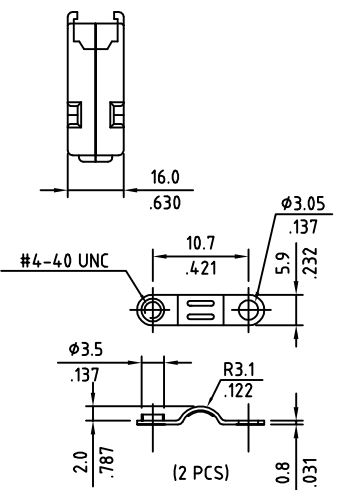


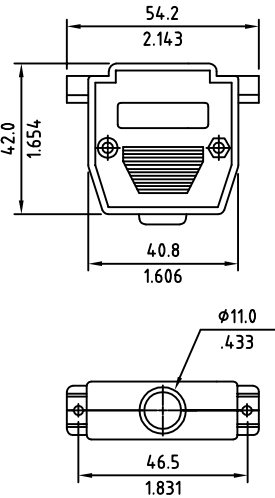
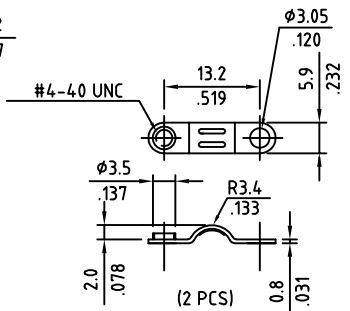
SIGN	DATE	DESCRIPTION	APPROVER
THIS IS CAD DRAWING, DO NOT REVISE MANUALLY!!!			



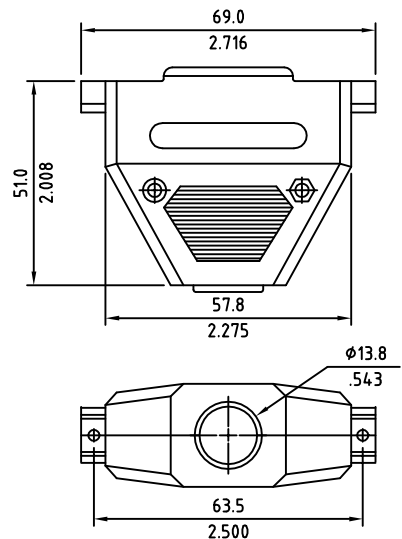
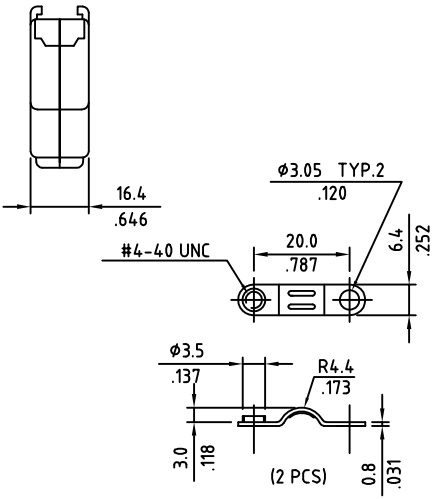
P/N: DCP-09S



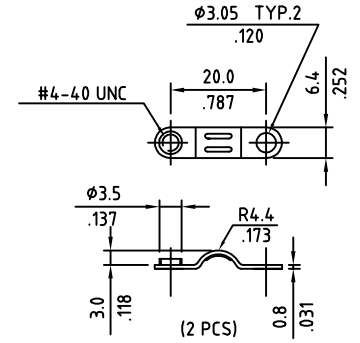
P/N: DCP-15S



P/N: DCP-25S



P/N: DCP-37S

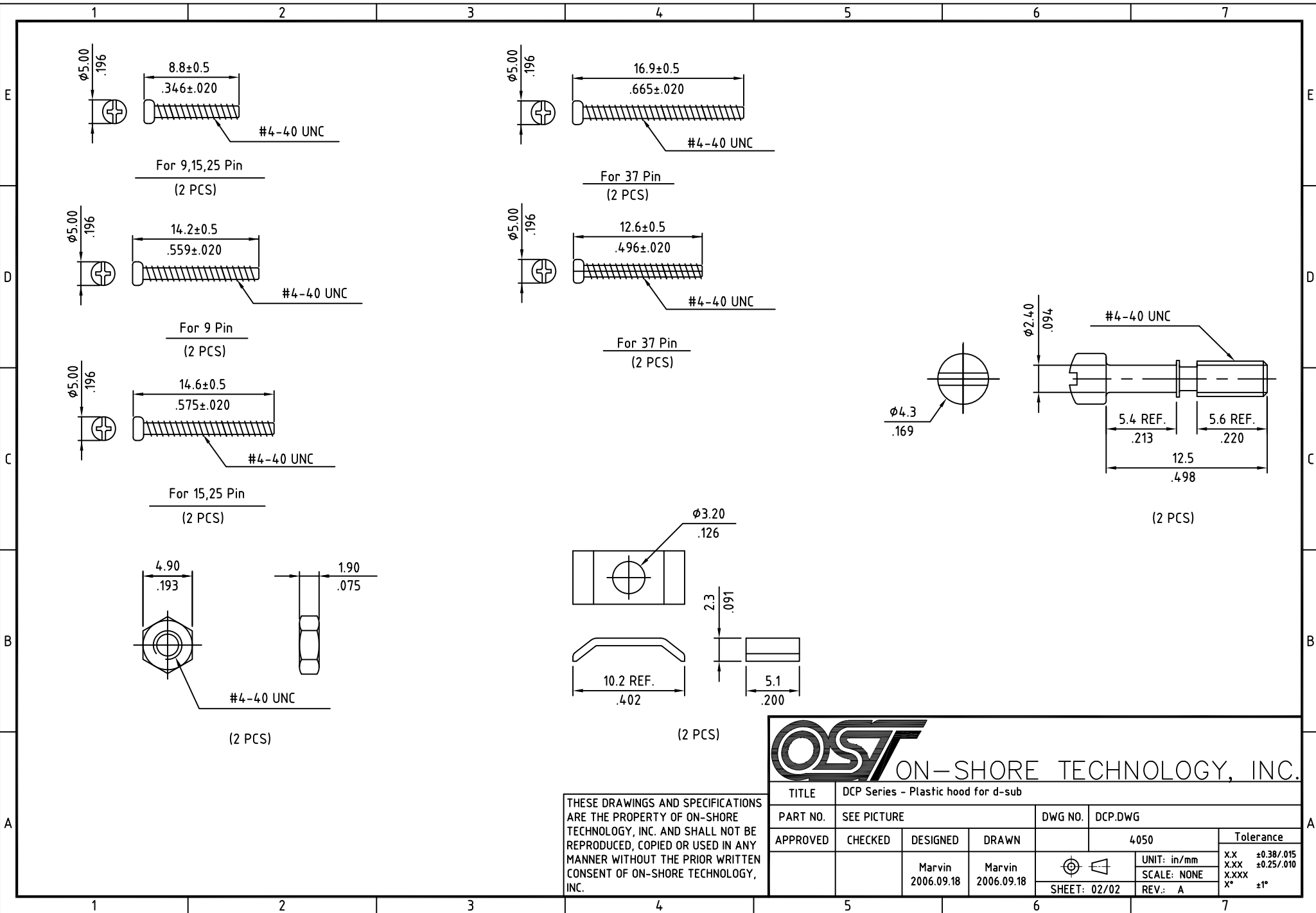


- Material:
- \* Hood: ABS UL 94HB  
Color Gray
  - \* Screw: Steel with Nickel plated
  - \* Cable Clipper: Steel with Nickel plated
- RoHS Compliant

THESE DRAWINGS AND SPECIFICATIONS ARE THE PROPERTY OF ON-SHORE TECHNOLOGY, INC. AND SHALL NOT BE REPRODUCED, COPIED OR USED IN ANY MANNER WITHOUT THE PRIOR WRITTEN CONSENT OF ON-SHORE TECHNOLOGY, INC.



TITLE		DCP Series - Plastic hood for d-sub		
PART NO.	SEE PICTURE	DWG NO.	DCP.DWG	
APPROVED	CHECKED	DESIGNED	DRAWN	4050
		Marvin 2006.09.18	Marvin 2006.09.18	Tolerance
				UNIT: in/mm SCALE: NONE REV.: A
				X.X ±0.38/.015 X.XX ±0.25/.010 X.XXX ±1*
				SHEET: 01/02



**OST** ON-SHORE TECHNOLOGY, INC.

TITLE	DCP Series - Plastic hood for d-sub			DWG NO.	DCP.DWG
PART NO.	SEE PICTURE			4050	
APPROVED	CHECKED	DESIGNED	DRAWN	Tolerance	
		Marvin 2006.09.18	Marvin 2006.09.18	X.X ±0.38/.015 X.XX ±0.25/.010 X.XXX X* ±1°	
				UNIT: in/mm	SCALE: NONE
				SHEET: 02/02	REV.: A

THESE DRAWINGS AND SPECIFICATIONS ARE THE PROPERTY OF ON-SHORE TECHNOLOGY, INC. AND SHALL NOT BE REPRODUCED, COPIED OR USED IN ANY MANNER WITHOUT THE PRIOR WRITTEN CONSENT OF ON-SHORE TECHNOLOGY, INC.