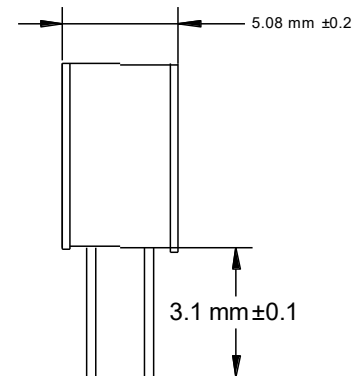
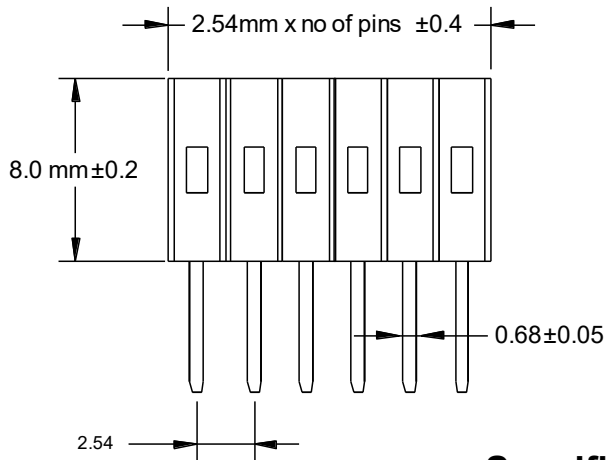
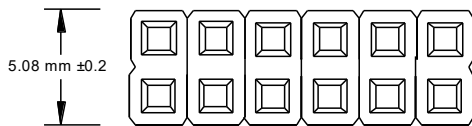
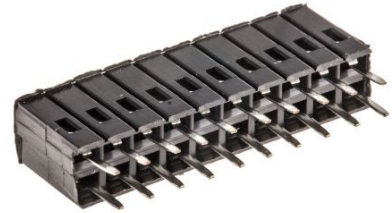




WINSLOW ADAPTICS

Data Sheet – 2.54mm Square Pin Header Sockets W34821xxTRC W34821xxTHTRC

These two row socket strips have 2.54 mm pitch, solder termination and straight body orientation for easy installation. It supports through hole mounting for vertical stacking of PCBs. The sockets incorporate straight tri-beam tin plate contacts for precise connection. It provides variety of connector option to cover majority of board-to-board, bussing and programming requirements.



Specifications

Current Rating	1 Amp
Insulation Resistance	5000 Meg Ohms
Operating Temperature	-40°C to +105°C
Max Processing Temperature	230°C (30 Secs) 260°C (60 Secs)
Contact Material	Phosphor Bronze
Insulation Material W34821xxTRC	Nylon (UL94V-0) (use for RoHS Wave Soldering)
Insulation Material W34821xxTHTRC	Stanyl (use for RoHS Reflow)
Plating	Pure Tin over Nickel
Contact Resistance	20 m Ohms