



DC FANS

25x25x10mm

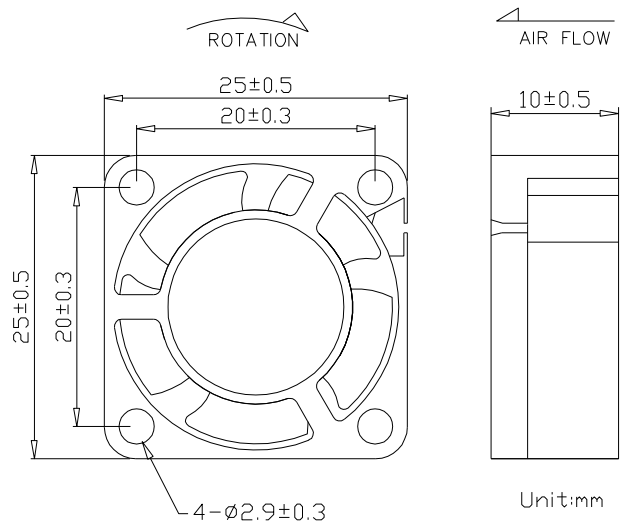
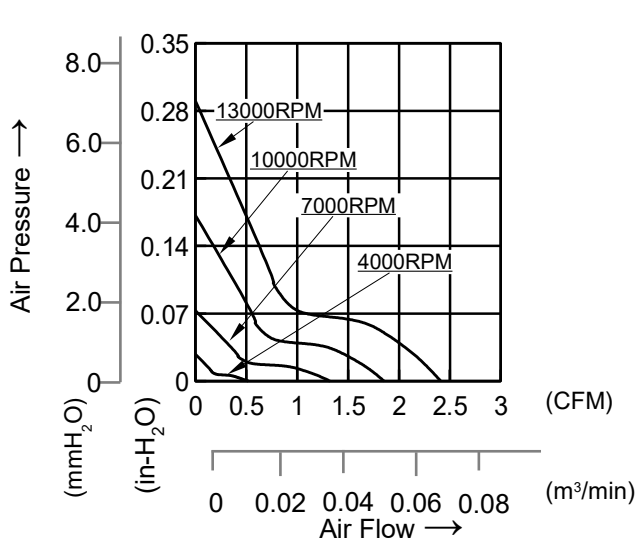


- MOTOR : DC single phase brushless motor
- FRAME : PBT (94V-0) ; IMPELLER : PBT(94V-0)
- OPERATING TEMP.: -10°C~70°C
- STORAGE TEMP.: -40°C~70°C
- WEIGHT : 8g



JARO Part Number	*Bearing System B / F	Rated Voltage V	Rated Current A	Rated Speed RPM	Maximum Air Flow		Maximum Static Pressure		Sound Level dBA
					m ³ /min	CFM	mm-H ₂ O	In-H ₂ O	
JCD0251005J 1A0E	B / F	5	0.04	4000	0.01	0.52	0.76	0.03	10
JCD0251005L 1A0E	B / F	5	0.05	7000	0.04	1.32	1.9	0.07	20
JCD0251005M 1A0E	B / F	5	0.07	10000	0.05	1.85	4.4	0.17	24
JCD0251005H 1A0E	B / F	5	0.22	13000	0.07	2.41	7.3	0.29	28
JCD0251012L 1A0E	B / F	12	0.05	7000	0.04	1.32	1.9	0.07	20
JCD0251012M 1A0E	B / F	12	0.06	10000	0.05	1.85	4.4	0.17	24
JCD0251012H 1A0E	B / F	12	0.08	13000	0.07	2.41	7.3	0.29	28
JCD0251024H 1A0E	B / F	24	0.07	13000	0.07	2.41	7.3	0.29	28

*Bearing system B:two ball bearing F:fluid bearing



*All models can be customized. Please contact your JARO representative for further information.

*Specs are subject to change without notice. Please visit JARO website at <https://jarothermal.com> for update information.