



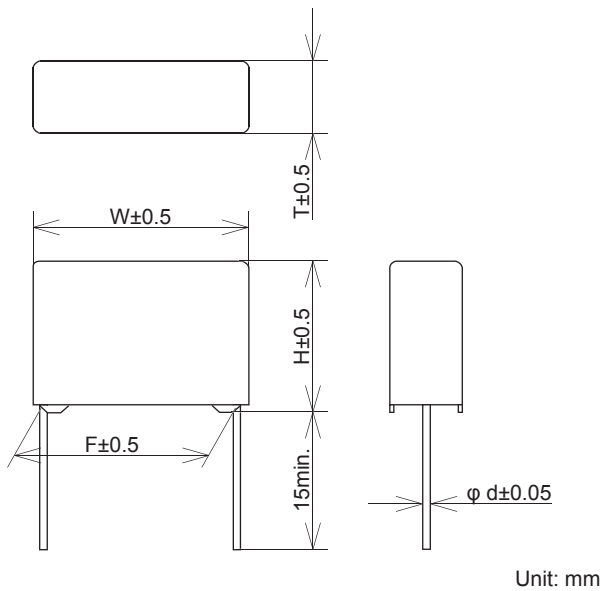
Features

- Rated voltage 310Vac
- Class X2 series
- Operating temperature up to 110°C
- Smallest size of LE series

Applications

- Designed mainly for suppressing noise occurring in power line of electrical appliances

• *Dimensions*



| Safety Standard | File No.*1 |
|-------------------------|----------------------------------|
| UL :UL60384-14 | E47474 |
| cUL :CSA E60384-14 | E47474 |
| ENEC :IEC/EN 60384-14 | SE/0142-1 |
| CQC :GB/T6346-14-2015 | CQC07001020113 CQC14001106681 |
| KC :K60384-1/ K60384-14 | HU03005-*2 HU03019-*2 |

The "ENEC" mark is a common European product certification mark based on testing to harmonised European safety standard. The mark with #14 stands for SEMKO.

*1 File No. may be revised without notice. Please contact us at the time of your request for certifications.

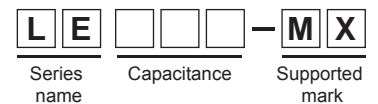
*2 End of the KC File No. varies by capacitance and production site.



• *Circuit*



• *Model numbering system*



Electrical Specifications

Rated Voltage **310Vac**

| Safety Standard | Class | Model Number | Capacitance $\mu\text{F}\pm 10\%$ | Dimensions | | | | | Dissipation Factor | Test Voltage | Insulation Resistance |
|-----------------|-------|--------------|-----------------------------------|------------|------|------|------|-----|---|--|---|
| | | | | W | H | T | F | d | | | |
| | X2 | LE104-MX | 0.1 | 17.0 | 11.0 | 5.0 | 15.0 | 0.6 | $C \leq 1\mu\text{F}$ 0.003max. (f=10kHz) | Line to Line 1,000Vac 50/60Hz 60sec or 1,870Vdc 60sec Line to Case 2,100Vac 50/60Hz 60sec | Line to Line $C \leq 0.33\mu\text{F}$ 15,000M Ω min. $C \geq 0.47\mu\text{F}$ 5,000 Ω •Fmin. Line to Case 100,000M Ω min. (at 100Vdc) |
| | | LE154-MX | 0.15 | | 12.0 | 6.0 | | | | | |
| | | LE224-MX | 0.22 | | 14.0 | 6.5 | | | | | |
| | | LE334-MX | 0.33 | 17.5 | 16.5 | 7.5 | 22.5 | | | | |
| | | LE474-MX | 0.47 | | 7.0 | | | | | | |
| | | LE684-MX | 0.68 | 25.5 | 18.0 | 8.5 | 27.5 | | | | |
| | | LE105-MX | 1.0 | | 21.0 | 10.0 | | | | | |
| | | LE155-MX | 1.5 | | 22.5 | 13.0 | | | | | |
| LE225-MX | 2.2 | 30.5 | 25.5 | 15.5 | 0.8 | | | | | | |

Operating Temperature: -55~+110°C