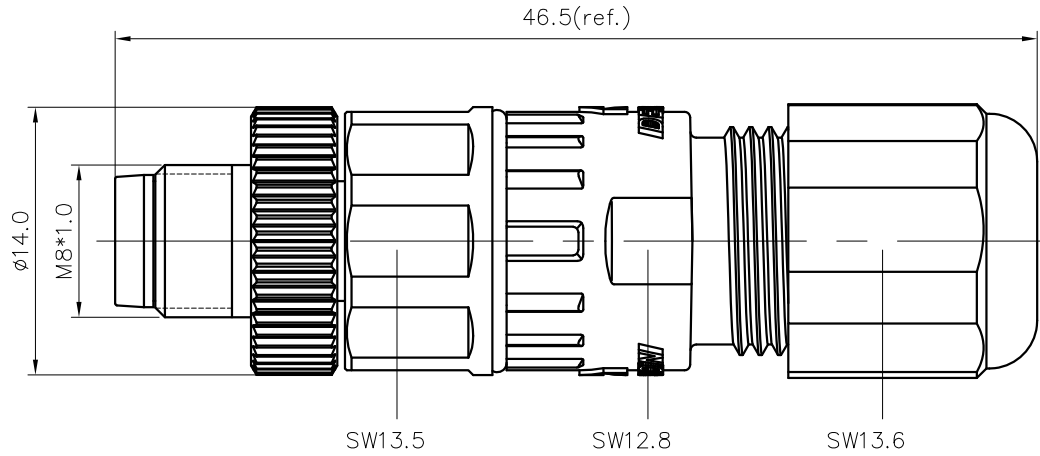
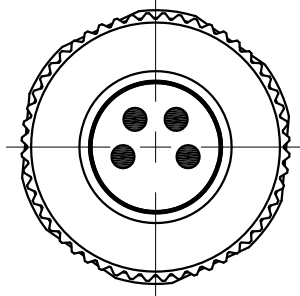


REVISION RECORD

REV	ECN	DESCRIPTION	DRFT	DATE
-----	-----	-------------	------	------



PB-M8A-XXP-MM-SL7001-00A(H)

Pin number: 03,04

NOTES:

- Rated voltage/current : 3pin: 60V / 3A  
4pin: 60V / 3A
- Withstanding voltage : 3,4pin: AC850V/1Min
- Levels of protection: IP67
- Wire range : 3pin: 24~22AWG/0.25~0.34mm<sup>2</sup>  
4pin: 24~22AWG/0.25~0.34mm<sup>2</sup>
- Cable range : 4~6mm
- Wire connection mode: screw
- Operating temperature: -40°C~+85°C
- RoHS Compliance

3pin A Coding	4pin A Coding
<p>Pin Assignment Front View</p>	<p>Pin Assignment Front View</p>

DETACHED LISTS	PART NO.: PBM8AXXPMMSL700100AH		宁波高松电子有限公司 NINGBO DEGSON ELECTRICAL CO., LTD	
	APPD:	NAME: PB-M8A-XXP-MM-SL7001-00A(H)		
	CHKD:	TITLE: CUSTOMER DRAWING		
	DRFT: LZ 2018.12.25	REV: D0-1	SHEET: 1/1	
<p>THIRD ANGLE PROJECTION</p>		<p>DO NOT SCALE DRAWING</p>	SCALE: 1:1	