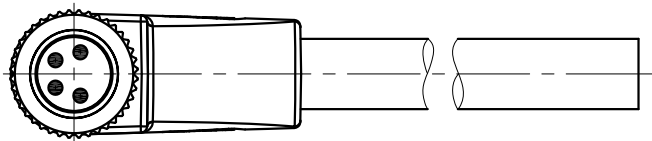


REVISION RECORD

| REV | ECN | DESCRIPTION | DRFT | DATE |
|-----|-----|-------------|------|------|
|-----|-----|-------------|------|------|



PM-M8X-XXP-MM-SR7XXX-00A(H)

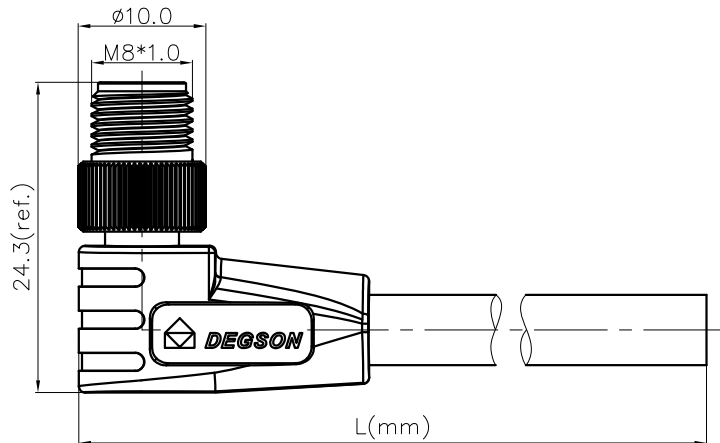
Coding: A,B

Pin number: 03,04,
05,06,08

Cable length
01:1M
...

Cable jacket:
A: PVC UL2517
B: PUR UL20549
C: PVC UL2517 For UL Approve
D: PUR UL20549 For UL Approve

99:99M
The line grows business trip:
01~05m: ± 50mm
06~10m: ± 100mm
11~30m: ± 200mm
31~99m: ± 500mm



NOTES:

- Rated voltage/current : 3pin: 60V / 3A
4pin: 60V / 3A
5pin: 30V / 3A
6pin: 30V / 1.5A
8pin: 30V / 1.5A
- Withstanding voltage : 3,4pin: AC850V/1Min
5,6,8pin: AC650V/1Min
- Levels of protection: IP67
- Cable specifications :
3pin: 3C*24AWG/0.25mm²,UL2517/UL20549
4pin: 4C*24AWG/0.25mm²,UL2517/UL20549
5pin: 5C*24AWG/0.25mm²,UL2517/UL20549
6pin: 6C*26AWG/0.14mm²,UL2517/UL20549
8pin: 8C*26AWG/0.14mm²,UL2517/UL20549
- Wire connection mode: soldering
- Operating temperature: -25°C~+80°C
- RoHS Compliance
- Tolerance : ±0.5mm

| 3pin A Coding | 4pin A Coding | 5pin B Coding | 6pin A Coding | 8pin A Coding |
|---------------------------|---------------------------|---------------------------|---------------------------|---------------------------|
| | | | | |
| Pin Assignment Front View | Pin Assignment Front View | Pin Assignment Front View | Pin Assignment Front View | Pin Assignment Front View |
| 4 Black | 4 Black | 5 Gray | 6 Pink | 8 Red |
| 3 Blue | 3 Blue | 4 Black | 5 Gray | 7 Blue |
| 2 White | 2 White | 3 Blue | 4 Black | 6 Pink |
| 1 Brown | 1 Brown | 2 White | 3 Blue | 5 Gray |
| Conn Wire Color | Conn Wire Color | Conn Wire Color | Conn Wire Color | Conn Wire Color |
| Pin Out | Pin Out | Pin Out | Pin Out | Pin Out |

| | | | | |
|------------------------|-----------------------------------|---|----------------------|-----------|
| DETACHED LISTS | PART NO.: PMM8XXXPMMSR7XXX00AH | 宁波高松电子有限公司 NINGBO DEGSON ELECTRICAL CO., LTD | | |
| | APPD: | NAME: PM-M8X-XXP-MM-SR7XXX-00A(H) | | |
| | CHKD: | TITLE: CUSTOMER DRAWING | | |
| | DRFT: SQ 2019.09.06 | REV | D0-2 | |
| THIRD ANGLE PROJECTION | | DRAWING NO.: XXXXXXXX-XX-CXX | SHEET | 1/1 |
| | | MM (INCH) | DO NOT SCALE DRAWING | SCALE 1:1 |