

Seal-Fast™

Plate-Seal Protection System



Plate Seals protect against chafing and abrasion while sealing out fumes, heat, dust moisture and other contaminants. Used to manage and support cables, hoses, hydraulic, fuel and oil lines, as they are routed through bulkheads and openings and isolate from sharp edges. Typically mounts with screws and rivets or with adhesives, by special order. Available in standard off the shelf (COTS) and custom trim rings to fit myriad of applications.

Features and Benefits:

- Fast and easy to install with use of screw, rivets, or optional PSA
- Encapsulated to keep unwanted contaminants from entering through hole or cutout area
- Enhances appearance
- No need for extended cure time adhesives or other auxiliary material
- Accepts a wide range of cable diameters
- UV and ozone resistant
- Excellent resistance to abrasion, compression set, flex cracking, impact, tear, and vibration

Applications:

- Aircraft galley equipment
- Avionics
- Bulkhead
- Automotive
- Railway
- Telecommunications
- Marine
- Trailers and motor homes
- General industrial



Performance:

- Resistant to fluids (solvents, fuels, and oils) per MIL-R-3065D, MIL-R-6855, and MIL-R-2765
- Continuous operating temperature: -50°F to 320°F (-45°C to 160°C)
- Intermittent operating temperature: -70°F to 400°F (-57°C to 204°C)
- Flame retardant rubber also available.

Product Sizes per Product Type:

- For hole diameters and cutouts from 1" to 5" (25.4mm to 127mm)
- For standard cable bundles or hose diameters from 0.25" to 1.5" (6.4mm to 38.1mm)
- Choose seal inside diameter that is 1/16" to 1/8" (1.59mm to 3.18mm) smaller than bundle/hose diameter.
- Largest bundle/hose diameter should be at least 3/8" (9.53mm) less than seal outside diameter.
- Custom solutions per application

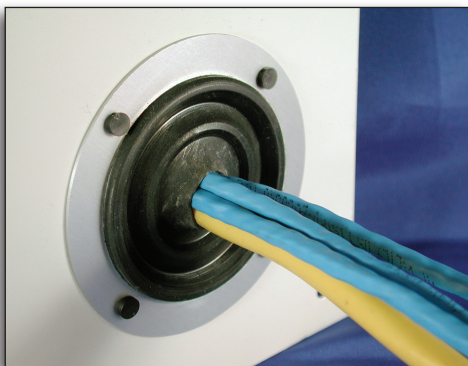
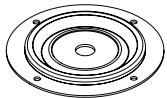
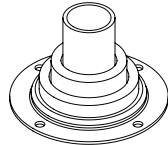


Plate-Seal Specifications and Ordering Options

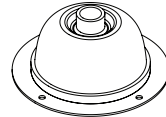
Seal Types



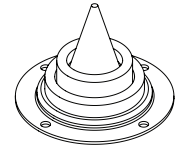
"A" Single Seal



"B" Bellow Seal

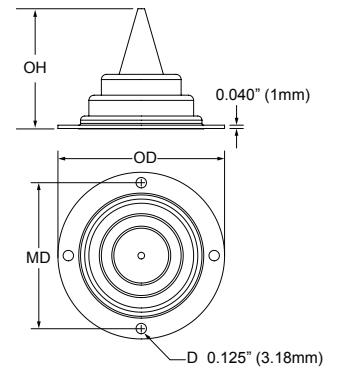
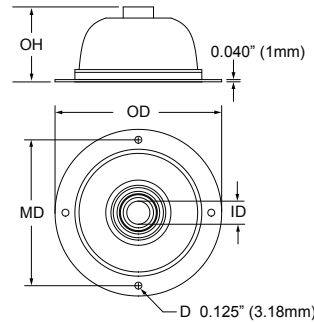
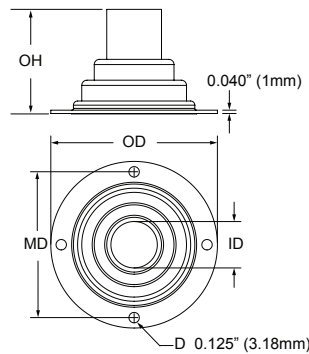
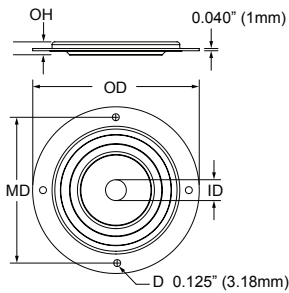


"C" Dome Seal



"D" Pointed Bellow Seal

Standard Dimensions



Part Numbers

DTi Part Number	Seal Type	"OD" Overall Diameter		"OH" Overall Height		"ID" Seal Inside Diameter		Seal Outside Diameter		Seal Height		"MD" Mounting Hole Distance	
		inches	mm	inches	mm	inches	mm	inches	mm	inches	mm	inches	mm
PS-1.5-A-BL	A	1.5	38.1	0.16	4.1	N/A	N/A	1.00	25.4	0.12	3.0	1.25	31.8
PS-2.0-A-BL		2.0	50.8	0.16	4.1	N/A	N/A	1.55	39.4	0.12	3.0	1.75	44.5
PS-3.0-A-BL		3.0	76.2	0.16	4.1	N/A	N/A	2.25	57.2	0.12	3.0	2.625	66.7
PS-3.0-A-25		3.0	76.2	0.16	4.1	0.25	6.4	2.25	57.2	0.12	3.0	2.625	66.7
PS-3.0-A-38		3.0	76.2	0.16	4.1	0.375	9.5	2.25	57.2	0.12	3.0	2.625	66.7
PS-3.0-A-50		3.0	76.2	0.16	4.1	0.50	12.7	2.25	57.2	0.12	3.0	2.625	66.7
PS-3.0-A-63		3.0	76.2	0.16	4.1	0.625	15.9	2.25	57.2	0.12	3.0	2.625	66.7
PS-3.0-A-75		3.0	76.2	0.16	4.1	0.75	19.1	2.25	57.2	0.12	3.0	2.625	66.7
PS-3.0-A-95		3.0	76.2	0.16	4.1	0.95	24.1	2.25	57.2	0.12	3.0	2.625	66.7
PS-3.0-A-118		3.0	76.2	0.21	5.3	1.18	30.0	2.385	60.6	0.17	4.3	2.625	66.7
PS-4.0-A-BL		4.0	101.6	0.10	2.5	N/A	N/A	3.0	76.2	0.06	1.5	3.625	92.1
PS-4.0-A-100		4.0	101.6	0.10	2.5	1.0	25.4	3.0	76.2	0.06	1.5	3.625	92.1
PS-4.0-A-180		4.0	101.6	0.10	2.5	1.8	45.7	3.0	76.2	0.06	1.5	3.625	92.1
PS-4.5-A-150		4.5	114.3	0.29	7.4	1.5	38.1	3.4	86.4	0.25	6.4	4.0	101.6
PS-4.5-A-212		4.5	114.3	0.29	7.4	2.12	53.8	3.4	86.4	0.25	6.4	4.0	101.6
PS-6.0-A-BL		6.0	152.4	0.10	2.5	N/A	N/A	5.0	127	0.06	1.5	5.5	139.7
PS-2.0-B-42	B	2.0	50.8	1.15	29.2	0.416	10.6	1.2	30.5	1.11	28.2	1.75	44.5
PS-3.0-C-42	C	3.0	76.2	1.35	34.3	0.416	10.6	2.062	52.4	1.31	33.3	2.625	66.7
PS-1.5-D-BL	D	1.5	38.1	0.64	16.3	N/A	N/A	0.50	12.7	0.60	15.2	1.25	31.8
PS-2.0-D-BL		2.0	50.8	0.50	12.7	N/A	N/A	0.8	20.3	0.46	11.7	1.75	44.5
PS-3.0-5.25-F-BL	F	3.0	76.2	0.160	4.1	N/A	N/A	2.24	56.9	0.120	3.0	1.310	33.3

"-BL" = Blank