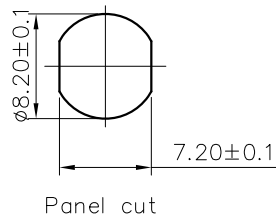
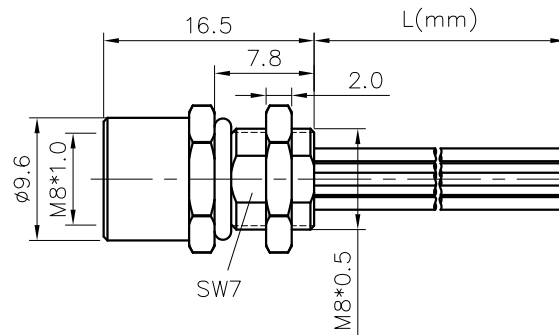
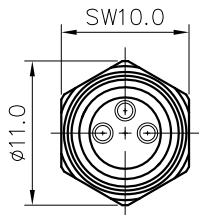


REVISION RECORD

REV	ECN	DESCRIPTION	DRFT	DATE
-----	-----	-------------	------	------



SD-M8X-XXP-FF-SH7BXX-00A(H)
 Coding: A,B
 Pin number: 03,04, 05,06,08
 XX: 150~1500mm
 15: 150±15mm
 30: 300±20mm
 50: 500±20mm
 A0: 1000±40mm
 A5: 1500±40mm
 Wire Length(L): 150~1500mm

NOTES:

- Rated voltage/current : 3pin: 60V / 3A
 4pin: 60V / 3A
 5pin: 30V / 3A
 6pin: 30V / 1.5A
 8pin: 30V / 1.5A
- Withstanding voltage : 3,4pin: AC850V/1Min
 5,6,8pin: AC650V/1Min
- Levels of protection: IP67
- Wire specifications :
 3pin: 24AWG/0.25mm²,UL1061
 4pin: 24AWG/0.25mm²,UL1061
 5pin: 24AWG/0.25mm²,UL1061
 6pin: 26AWG/0.14mm²,UL1061
 8pin: 26AWG/0.14mm²,UL1061
- Wire connection mode: soldering
- Operating temperature: -25°C~+80°C
- For Panel Thickness Range: 2.0~3.0mm
- RoHS Compliance

3pin A Coding	4pin A Coding	5pin B Coding	6pin A Coding	8pin A Coding
Pin Assignment Front View	Pin Assignment Front View	Pin Assignment Front View	Pin Assignment Front View	Pin Assignment Front View
8	7	6	5	4
Pin	Pin	Pin	Pin	Pin
Wire Color	Wire Color	Wire Color	Wire Color	Wire Color
Pin Out	Pin Out	Pin Out	Pin Out	Pin Out

DETACHED LISTS	PART NO.: SDM8XXXPPFFSH7BXX00AH	宁波高松电子有限公司 NINGBO DEGSON ELECTRICAL CO., LTD		
	APPD:	NAME: SD-M8X-XXP-FF-SH7BXX-00A(H)		
	CHKD:	TITLE: CUSTOMER DRAWING		
	DRFT: SQ 2019.03.29	REV	D0-1	
THIRD ANGLE PROJECTION		DRAWING NO.: XXXXXXX-XX-CXX	SHEET	1/1
		MM (INCH)	DO NOT SCALE DRAWING	SCALE 1:1

H
G
F
E
D
C
B
A

H
G
F
E
D
C
B
A