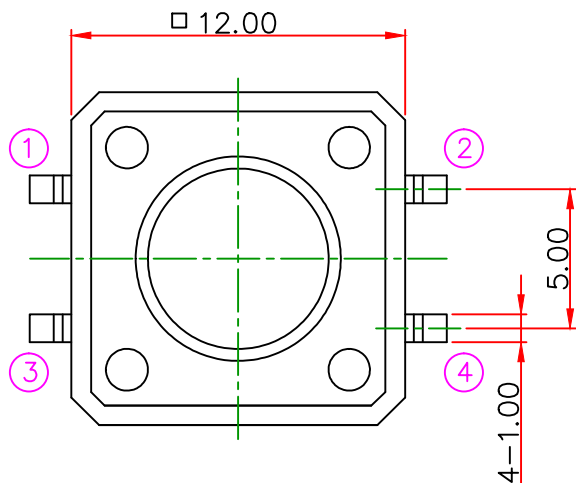


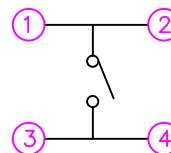
△				
△				
△				
△				
ZONE	REV	DESCRIPTION	DATE	APPD.

R&D發行
2018.02.01
達立

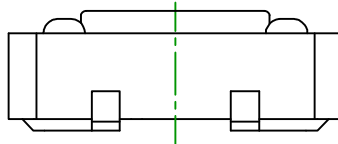
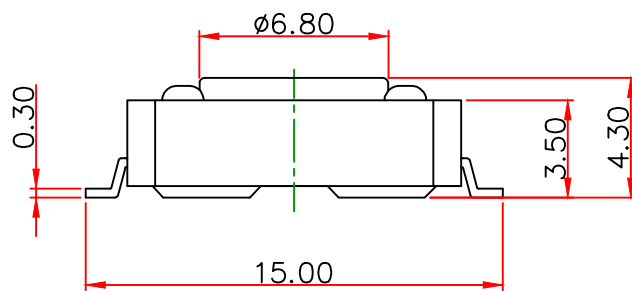
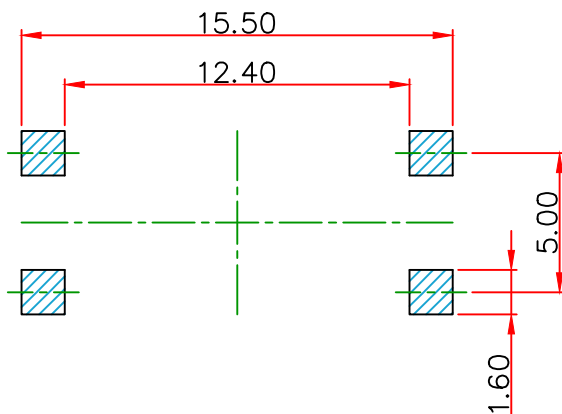
RoHS
Compatible



CIRCUIT DIAGRAM



RECOMMENED P.C.B MOUNTING PATTERN DIMENSION



Specifications

1. Rating : DC 12V, 50mA.
2. Travel : 0.30±0.15mm
3. Contact resistance : 100mΩ Max.
4. Insulation resistance : 100MΩ Min.
5. Operating force : 160±50gf
6. Operating life : 100,000 cycles.

5	Stem	Polyamide	1	Black
4	Cover	Brass	1	Ni Plated
3	Contact	SUS	1	Ag Clad
2	Terminal	Brass	1	Ag Plated
1	Case	Polyamide	1	Black
No.	Part Name	Material	Q'ty	Finishing

達立科技股份有限公司
Dawning Precision Co., Ltd.
TEL: 886-2-82271388 FAX: 886-2-82272198

DESIGN	Eason	SCALE		
DRAWING	Eason	UNIT	mm	
CHECK	Eason	SIZE	A4: 210*297	
APPROVAL	Honda	VERSION	01	

TOLERANCE UNLESS OTHERWISE STATED(mm)	PART NAME	TACT SWITCH
0 _____ ±0.50	PART NO	TS-A03S-2-S001
0.0 _____ ±0.40	DRAWING NO	
0.00 _____ ±0.30	DATE	2018/02/01
ANGLE _____ ±2'		