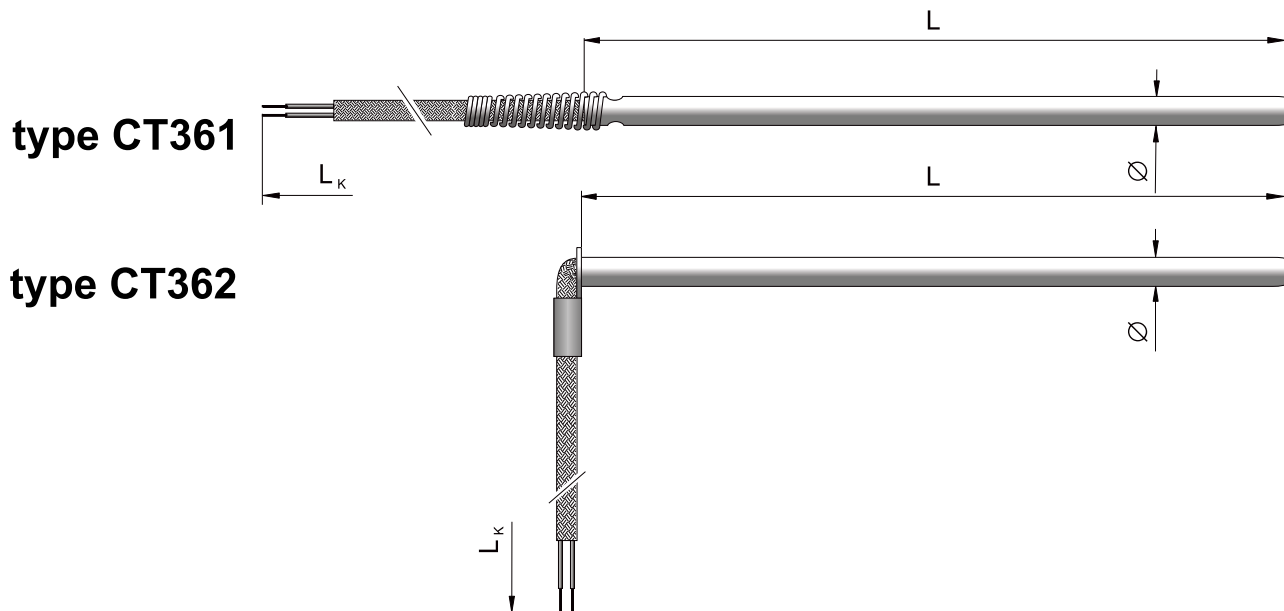


## TEMPERATURE SENSOR



### SPECIFICATION

Temperature range	-40°C ... +400°C
Measuring element	platinum resistor <b>(Pt100)</b> <sup>(1)</sup> thermocouple Cu- CuNi <b>(T)</b> thermocouple Fe-CuNi <b>(J)</b> thermocouple NiCr-NiAl <b>(K)</b>
Class of processing element	2 (B)
Measuring junction	insulated <sup>(2)</sup>
Sheath material	steel 1.4541
Cable insulation	fiber glass and steel braid <sup>(3)</sup>
Additional accessories	compression gland <b>KP</b>

<sup>(1)</sup> Pt500, Pt1000, Ni100, Ni1000 on demand

<sup>(2)</sup> Other parameters according to customer requirements

<sup>(3)</sup> Other cable insulation: PVC, silicon, PTFE, stainless steel armored sheath

Option	W1	W2	W3	W4	W5	W6	W7
Sensor length L(mm) <sup>(2)</sup>	50	100	200	300	400	600	800
Length of the cable L <sub>K</sub> (m) <sup>(2)</sup>	0.5	1	1	1	1.5	1.5	1.5

### ORDERING CODE



Sensor type **361, 362**

Measuring element **Pt100, T, J or K**<sup>(1)</sup>

Sheath outer diameter Ø = **2,5, 3, 4, 5, 6, or 8** mm

Option **W1...W7**

Additional accessories: compression gland type **KPM8x1, KPM10x1, KPM12x1,5**<sup>(2)</sup>

**Example for order:** CT-361J-5-W5 thermocouple sensor Fe-CuNi (J) of diameter Ø = 5 mm, length L = 400 mm and length of the cable L<sub>K</sub> = 1.5 m.