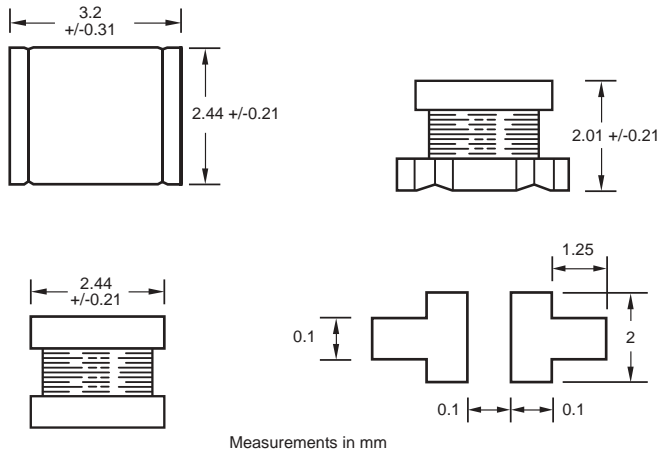


# 1210PC Series Power Surface Mount Inductor



Wilco Part Number	L (uH)	Tolerance (%)	Test Freq.	SRF Min Mhz	DCR Max (Ohms)	Rated Current (mA)
1210PC-1R0M	1	20	1 MHz	96	0.12	800
1210PC-2R2M	2.2	20	1 MHz	64	0.18	600
1210PC-4R7M	4.7	20	1 MHz	43	0.28	450
1210PC-100K	10	10	1 MHz	26	0.6	300
1210PC-220K	22	10	1 MHz	19	0.95	250
1210PC-470K	47	10	1 MHz	15	1.8	170
1210PC-101K	100	10	1 MHz	10	5	100
1210PC-221K	220	10	1 MHz	6.8	12	70
1210PC-331K	330	10	1 MHz	5.6	14	60
1210PC-391K	390	10	1 MHz	5	23	60
1210PC-471K	470	10	1 KHz	5	26	60
1210PC-561K	560	10	1 KHz	5	30	60

## FEATURES

- Wire wound magnetic path construction
- Low DCR and high current capacity
- High SRF
- Designed for pick and place

## APPLICATIONS

- DC/DC Converters
- DC Power Supplies
- Switching regulators
- Noise/EMI/RFI filtering
- Chokes

**Operating Temperature:** -25 to +85 degree C

**Inductance Range:** 1uh to 560uh

**Packaging:** 2000 pieces per 7 inch reel.

**Wilco Corporation**

Hotline 800•611•2343

Fax 317•293•9462

www.wilcocorp.com