

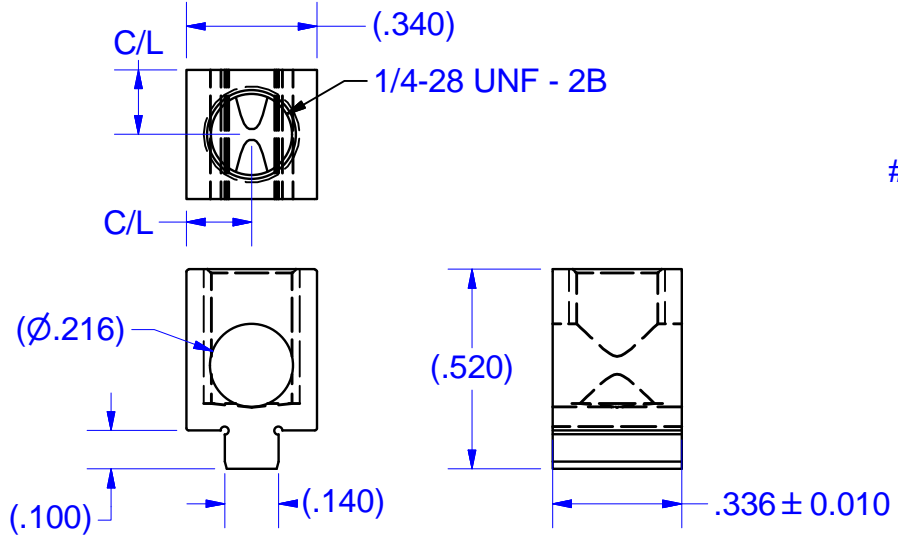
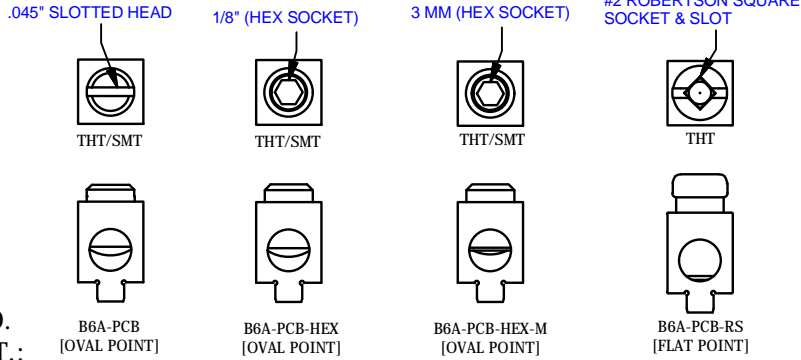
Table			
ASSEMBLY	PN	TYPE	RoHS
B6A-PCB	11489	SLOTTED	
B6A-PCB-HEX	13695	HEX SOCKET (SAE)	
B6A-PCB-HEX-M	14975	HEX SOCKET (MM)	
B6A-PCB-RS	14621	ROBERTSON HEAD	
B6A-PCB-RLM	25F37HCS5T	HEX CAP (SAE)	
B6A-PCB-2RLM	25F50KCS0T	SOCKET HEAD CAP (SAE)	

*ALL FASTENERS ARE STEEL AND ZINC PLATED

SCREW/
DRIVE:

THT OR
SMT:

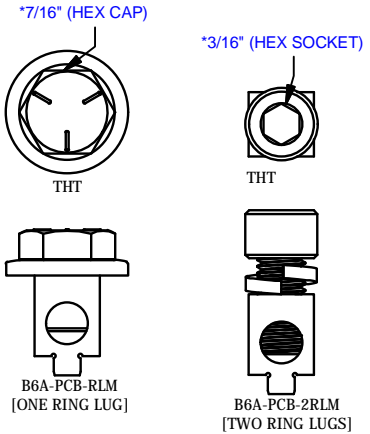
PART NO.
SCREW PT.:



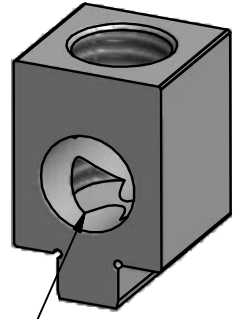
- NOTES:**
1. FINISH: TIN PLATE FOR SOLDERING
 2. PART IS NOT UL/CSA LISTED/CERTIFIED (SEE PART B2A-PCB OR B12-PCB FOR LISTED PARTS) BUT IS CAPABLE OF PASSING UL486
 3. FOR .06 PCB MIN. BOARD THICKNESS
 4. USE ROUTED SLOT IN PCB FOR .140 FOOT, ALL FINAL PCB SPECS BASED ON BUYER TESTING AND APPROVAL
 5. ACCEPTS COPPER OR ALUMINUM WIRE (SOLID OR STRANDED)
 6. RING LUG MOUNT PARTS ARE SUPPLIED WITH HARDWARE KITTED. NOT ASSEMBLED
 7. FERRULES ARE RECOMMENDED FOR FINE AND STRANDED SMALL WIRES
 8. SMT MOUNTED VERSIONS MOUNTED AT 90° ON SIDE

REVISION HISTORY			
REV	DESCRIPTION	DATE	APPROVED
1	DRAWN IN INVENTOR	11/15/2011	TIM SMITH
2	MADE INTO CHARTED PRINT	12/15/2014	FJB

*FOR USE WITH CUSTOMER SUPPLIED RING LUGS
1/4"/6MM BOLT SIZE



**NO MARKING
REQUIRED**



#6 AWG TO #14/16*/18*

Wire Binding Screw Recommended Torque Chart for Wire Stranding Classes Listed in UL486A-B Code Wires* AWG 6-14 (mm ² 10 - 2.5)			
AWG	mm ²	in-lb	N-M
6	-	35	3.95
-	10		
8	-	25	2.82
-	6		
10	-	20	2.26
-	4		
12	-		
-	2.5		
14	-		

*For parts with No Screw (i.e. XXX-PCB-NS) Recommended Torque is User Controlled.
Wire binding screw torque not applicable to ring lug clamping screws.
Suitable torques for flex wire may be different than listed.

NOT FOR USE WHERE FAILURE CREATES A HAZARD TO HUMAN HEALTH OR SAFETY.
ALL PRODUCTS ARE SUBJECT TO THIS FULL DISCLAIMER:
<http://www.ihiconnectors.com/disclaimer.html>

FOR FURTHER INFORMATION ON THE PROPER USE OF THIS PRODUCT IN SPECIFIC APPLICATIONS SEE
<http://www.ihiconnectors.com/GuideToFlexFlexiblerFineStrandedWireCableMechanicalLugsFAQ.html>
<http://ihiconnectors.com/Precautions-when-using-SMT.pdf>
http://www.ihiconnectors.com/FAQ_SMT_SMD_High_CurrentPCB_Terminal_LugsSolderCreep.htm
http://www.ihiconnectors.com/High_Amp_Wide_Trace_PCB_Wire_Connection.html
<http://www.ihiconnectors.com/Technical-Data-Installation.htm>

THIS DRAWING AND DESIGN ARE THE PROPERTY OF INTERNATIONAL HYDRAULICS, INC., CLEVELAND, OHIO, AND MAY NOT BE DUPLICATED, USED FOR THE BASIS OF DESIGN OR MANUFACTURE WITHOUT THE WRITTEN PERMISSION OF INTERNATIONAL HYDRAULICS, INC., CLEVELAND, OHIO.

INTERNATIONAL HYDRAULICS, INC.

TITLE:
AWG 6-14(-16-18) PCB TERMINAL 65 AMP, THT FOOT MOUNTED
SALES PRINT

GENERAL TOLERANCES -.015	MATERIAL: 6061-T6 (13521)	SIZE:	DRAWN BY: TDS	DWG NO.: B6A-PCB-XX(WEB)	REV: 2
FINISH: SEE NOTE	DATE: 11/14/11	THIS IS A CAD DRAWING, DO NOT MANUALLY REVISE			