



RoHS Compliant

Specifications

Electrical Ratings	50mA @ 50VDC
Electrical Life	100,000 cycles typical
Contact Resistance	<50mΩ initial
Actuation Force	180 ± 50gF
Actuation Travel	.25 ± .1mm

Dielectric Strength	250Vrms min
Insulation Resistance	>100MΩ min
Operating Temperature	-40°C to 85°C
Storage Temperature	-40°C to 85°C

Materials

Actuator	4/6 Nylon
Housing	4/6 Nylon
Cover	Stainless Steel
Contacts	Stainless Steel, Silver Plated
Terminals	Brass, Silver Plated

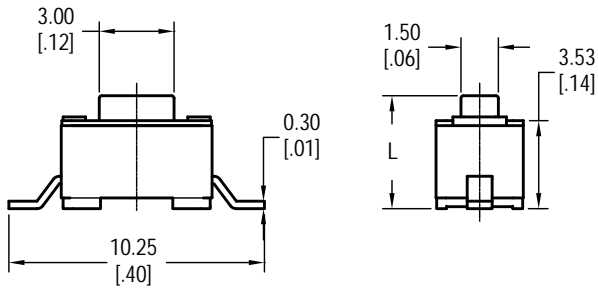
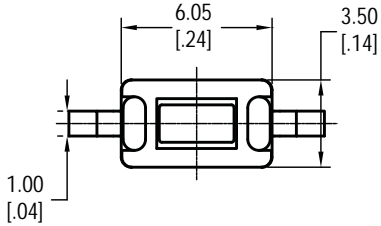
Ordering Information

1. Series	CS1101	4.3	F160	J
CS1101				
2. Actuator Length "L" mm	4.3 = 4.3mm 5.0 = 5.0mm			
3. Actuator Force	F160 = 160gF F260 = 260gF			
4. Terminal Options	Blank = Gull Wing J = J Lead			

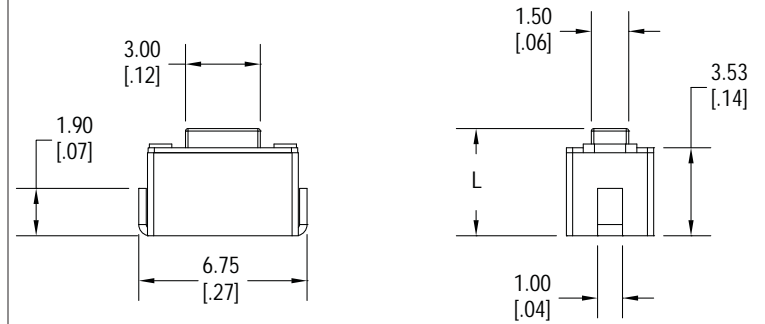
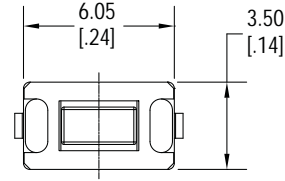
CS1101

Surface Mount Tactile

Dimensions

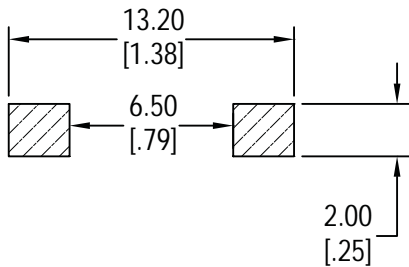


Gull Wing

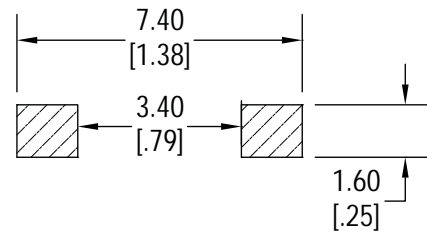


J Lead

PC Layout



Gull Wing



J Lead

Schematic

