

Tact switch

Push Button Switch SMT



Highlights

Push button with normally closed actuation

Anti manipulation switch

Switch can activate signal of manipulation on housings, e.g. in smart meters

Gold plated contacts to ensure long term switching function even without actuation

PCB assembly on bottom side with actuation on PCB top side

Mechanical Data

Fixation mode	SMT
Actuation direction	vertical
Operating travel	switch ON: 0.0 mm switch undef.: > 0.0 - 0.5 mm switch OFF: > 0.5 - 4.7 mm
Contact form	Normally Closed
Length	7.0 mm
Width	4.0 mm
Perm. ambient temperature	-40 °C ... +85 °C
Reflow soldering	JDEC J-STD-020 E
Allowed number of soldering processes	1
Storage time	6 months
Processing time	MSL 5a

Electrical Data

Rating	12.0 VDC / 1A
Contact resistance	< 100.0 mOhm
Insulation resistance	> 100.0 MOhm
Test voltage	250.0 VAC / 1.0 min

Material

Housing	PA46
Contacts	CuZn Au plated
Pin plating	CuZn, tin plated



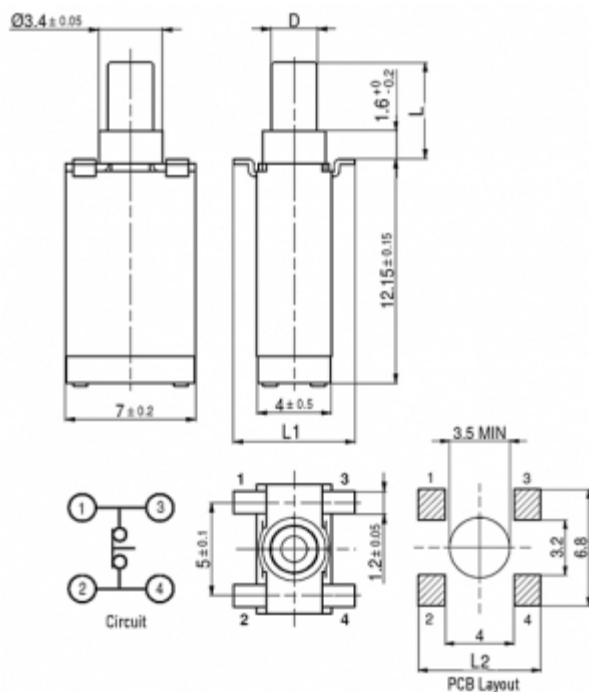
Technical data

// PBH00S- 490 A4 -A1 3 TR -X 9

Tact switch

Push Button Switch SMT

Technical Drawing



Configuration

Actuation force Life time	490gf 10.000 cycles
Height incl. Knob (L)	5.2 mm
Knob material Color	PA46 Black
Terminal Length (L1)	6.5 mm L2 = 7.1 mm
Packing	Tape & Reel packing
Knob size	round D = 2.5 mm
Contact plating	Au plated 0.2µm