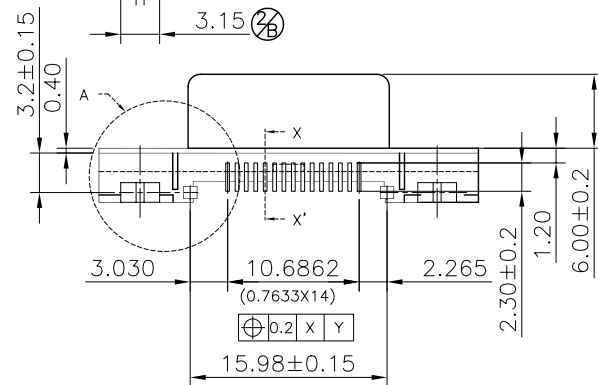


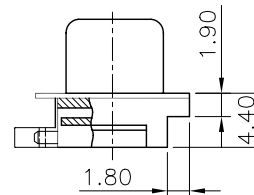
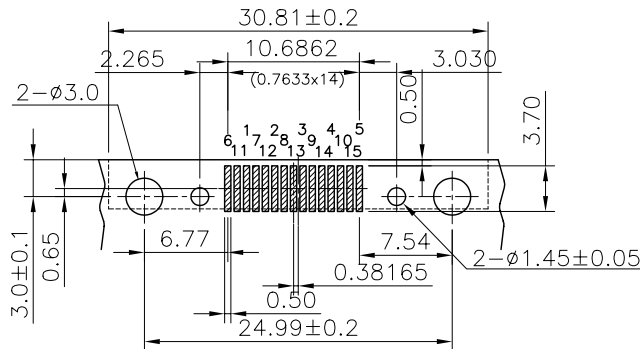
NOTE(I):

① 070431FB015□□00ZU  
1 2

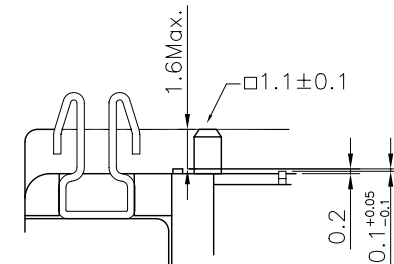
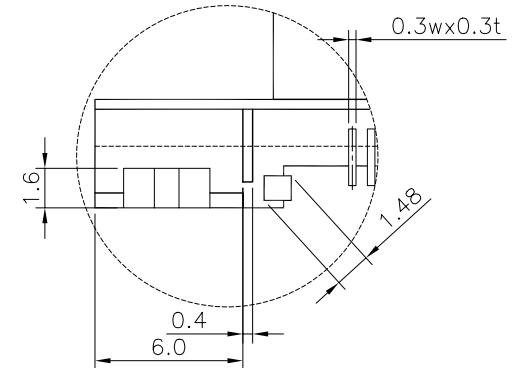
- No. of pins.
- Selective plating  
 'S1,-05u" Min. gold in contact area/  
 100u" Min. Tin in solder area.  
 'S2,-Gold flash in contact area/  
 100u" Min. Tin in solder area.  
 'S3,-10u" Min. gold in contact area/  
 100u" Min. Tin in solder area.  
 'S4,-15u" Min. gold in contact area/  
 100u" Min. Tin in solder area.  
 'S5,-30u" Min. gold in contact area/  
 100u" Min. Tin in solder area.



Recommended P.C.B Layout (Component Side)



SECTION X-X'



Detail A Bottom View (4:1)

5	Fork	Brass		Tin plated
4	Rivet	Copper		Nickel plated
3	Shell	Copper		Nickel plated
2	Terminal	Phos. Bronze		Selective Gold/Tin
1	Housing	LCP	BLACK	UL94V-0
NO.	DESCRIPTION	MATERIAL	COLOR	REMARK

**SUYIN**  
CONNECTOR

CUSTOMER COPY TITLE: 15 PIN D-SUB CONNECTOR FEMALE SMT TYPE LOW PROFILE

ECN-T010529-06	G		G1:ADD NEW P/N.	王淑嫻	宋權哲	Angle	±2°	DRAW	簡亦慧	98/03/21	PART NO.	070431FB015SX00ZU
ECN-010213-01	F	01/05/29	增加電鍍系列	王淑嫻	宋權哲	30 ~	±0.50	DESIGN	陳清照	98/03/21	PART NO. (OLD)	7731S-15GXT
ECN-000720-01	E	01/02/13	修改 MAT,L	王淑嫻	宋權哲	10 ~ 30	±0.30	CHECK	陳清照	98/03/21	DRAWING NO.	070431FB015SX00ZU
ECN-000720-01	D	00/07/15	J-12	陳清照	宋權哲	~ 10	±0.15	APPRO.	宋權哲	98/03/21	SCALE	2:1
ECN (DCN) NO.	REV	DATE	DESCRIPTION	CHANGE	APPRO.	GENERAL TOLERANCE UNLESS OTHERWISE NOTED		APPRO.	宋權哲	98/03/21	UNIT	mm
											A4	①